

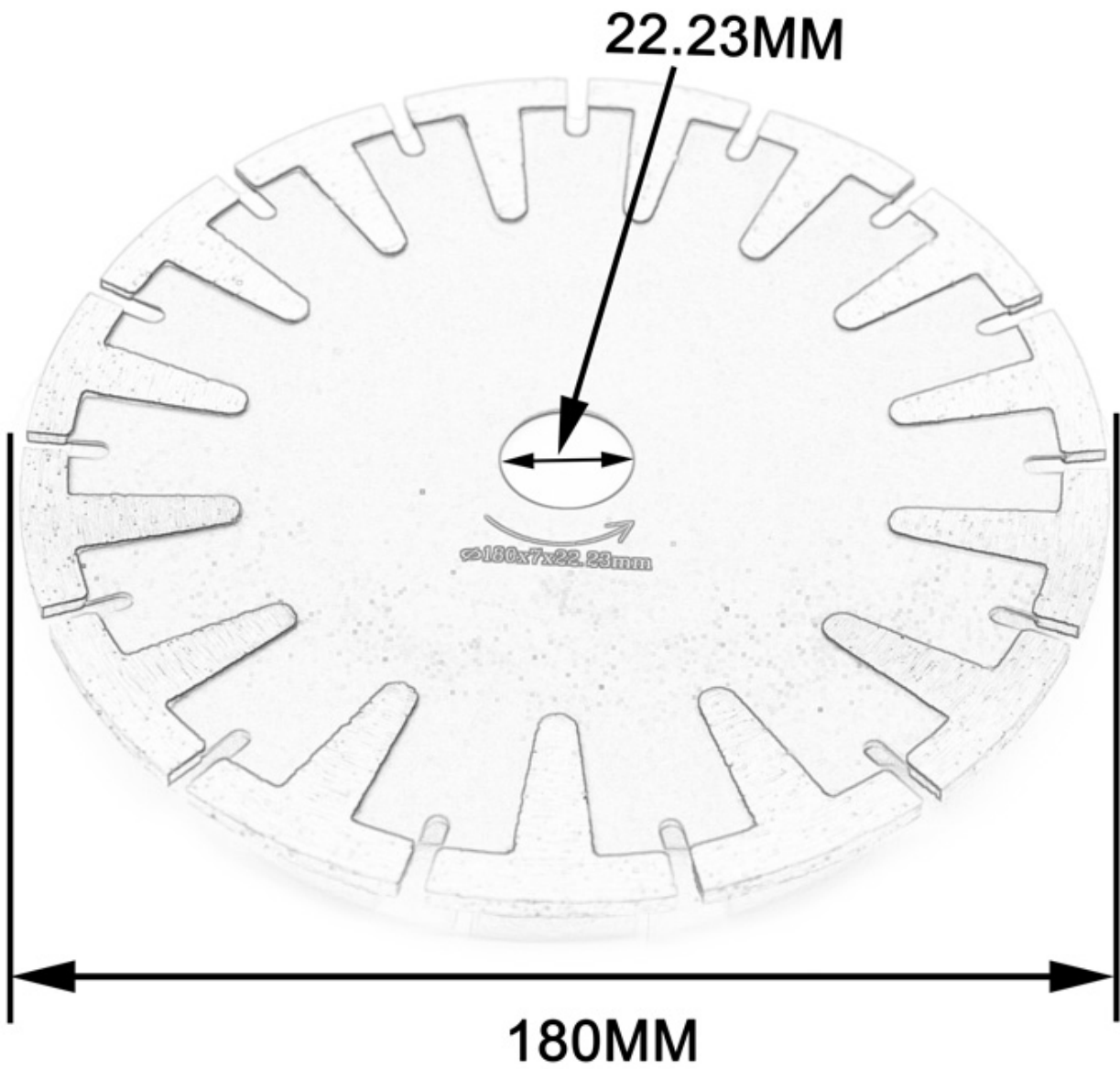
Factory Direct Sales Of Arc Saw Blade Foreign Trade Products Diamond Cutting Blade Stone Saw Blade Sharp And Durable

Advantage:

Sharp And Durable Saw Blade

- Accurate and smooth precision cuts
- Suitable for both dry and wet use.
- With protective teeth, prevent undercutting.
- Competitive price and superior quality.

Factory=Quality Control=Competitive Price=Own technology=OEM



Specification:

The following are normal specifications **Sharp And Durable Saw Blade:**

Diameter	Bore (mm)	Segment Height
105mm(4 inch)	20mm/22.23mm	8mm
125mm(5 inch)		
150mm(6 inch)		
180mm(7 inch)		

The above specifications is only for reference, other specifications may be available as per customer's demand.

Description:

Sharp And Durable Saw Blade for hand hold circular saw and angle grinders. Prpvide fast,free,smooth cutting in brick,tile,concrete ,stone and other building material.

S
e
g
m
e
n
t
h
e
i
g
h
t
:
:
B
l
a
d
D
i
a
m
o
n
d
i
a
:
:

תנ"ך וכו'. יחידות לימוד וכו' ע"פ חוק הפיקוח על יצירות יוצרי יצירות בלתי מוגנות.

S
t
o
n
e
,
M
a
r
b
l
e
,
G
r
a
n
i
t
e
,
C
o
n
c
r
e
t
e
,
T
i
l
e
,
A
s
p
h
a
l
t
E
t
c
.

Our factory use original high grade diamond



pk

Other factory mix second diamond selected from waste segment

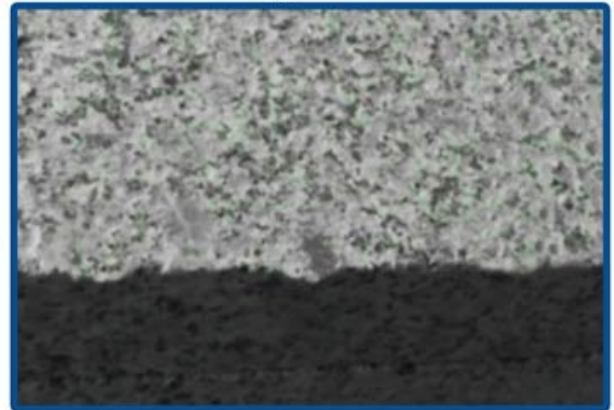


Our blade cutting effect



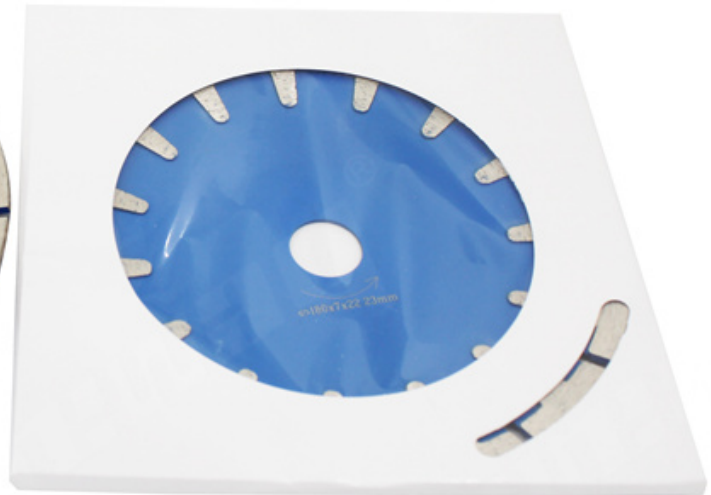
pk

Other supplier blade cutting effect



boreway®

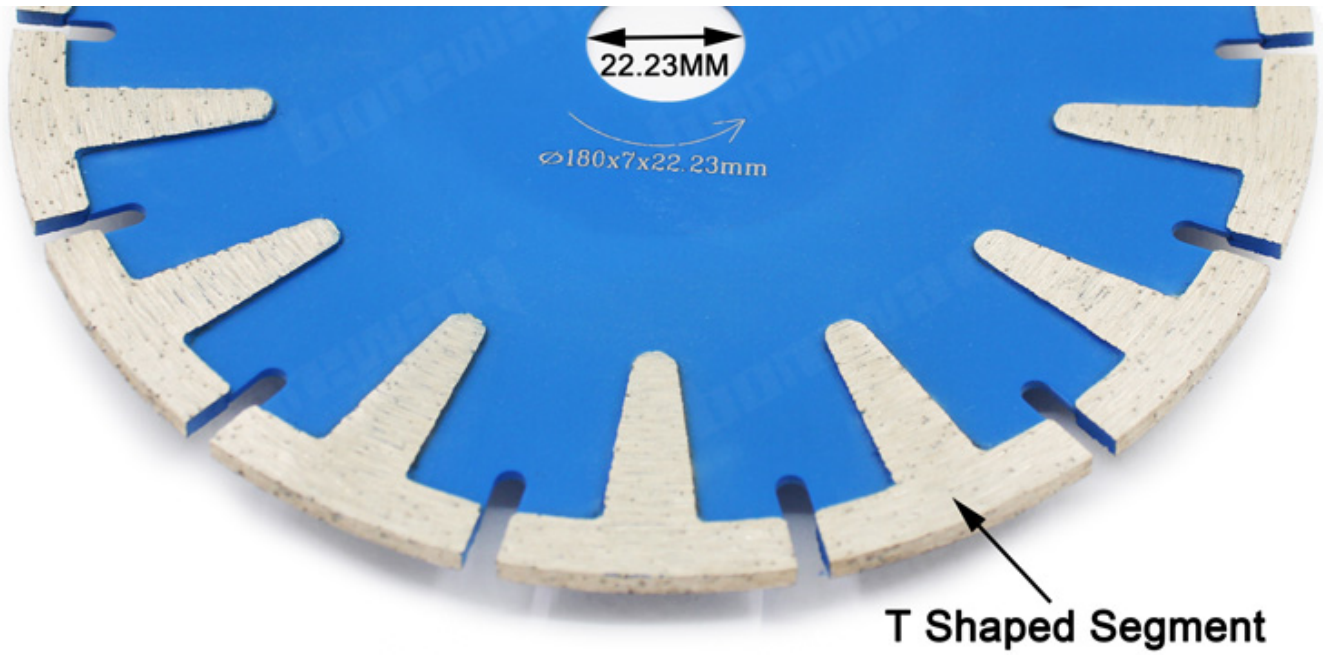




Feature:

Sharp And Durable Saw Blade

1. Diamond concave saw blade
2. Dry and wet use for better performance
3. Continuous changes make the cutting smoother.
4. Protect teeth to prevent damage to the substrate.



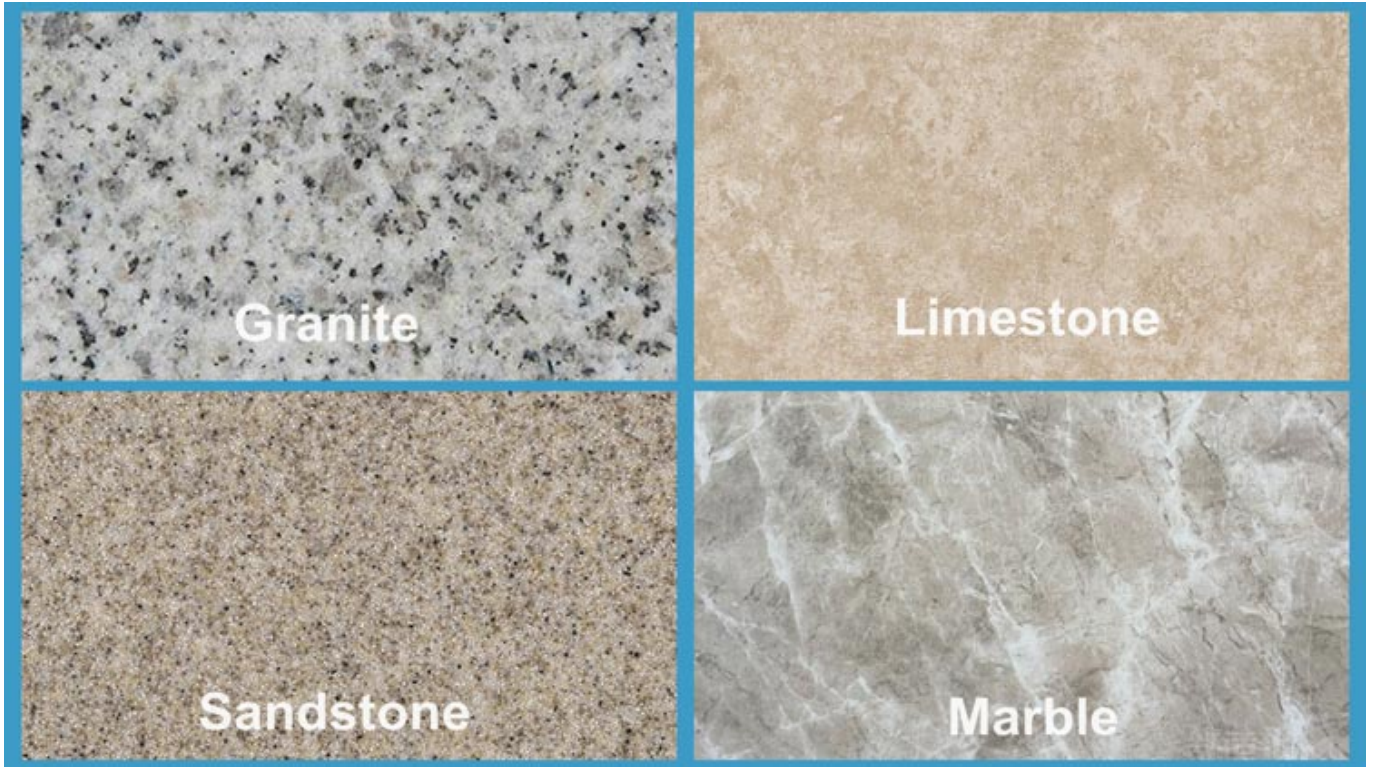
Applications:

Sharp And Durable Saw Blade hand hold circular saw and angle grinders. Provide fast, free, smooth cutting in brick, tile, concrete, stone and other building material.

As the saw blade size is small and medium, it is easy to use, in the cutting is no deformed, flexible usage, is the most commonly used one of the series of diamond cutting disc.

Hot Sintered or Code Pressed, Dry or Wet Use!

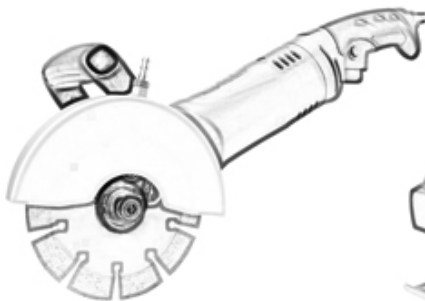




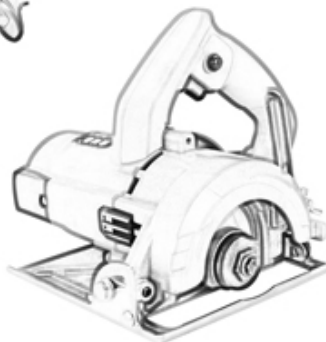
Applications Machine:

Sharp And Durable Saw Blade

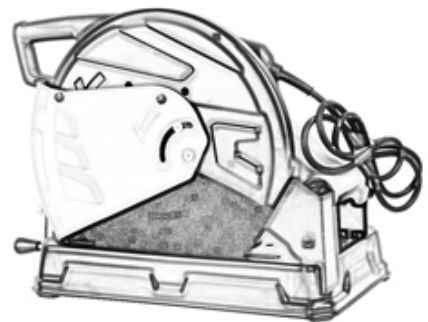
- a) Smooth and fast cutting and curving.
- b) Long life and stable performance
- c) Competitive price and superior quality
- d) Dry or wet cutting and curving.
- e) Color can be done based on client's



Angle Grinders Machine



Manual Cutting Machine



Concrete Granite Cutting Disc for all kinds of manual cutting machines or angle grinders.



Attention when use:

1. Before saw blade installed, pollutions adhering between saw blade and flange shall be removed,
when installing saw blade, the marked direction shall be kept consistent with the rotating direction of electric tools, and flange shall be fastened by spanner attached to electric tools.
2. Do not use any saw blade that has been deformed for being pressed or crashed.
3. When operating, operator must wear safety helmet, safety footwear and goggles, protective glove, additionally, if necessary operator must use earplug, mask and so on
4. Electric tools shall have protective cover.

Related Products:



1200 mm Structure Granite Block Cutting Segment



Wet Use Only Fan Shape Diamond Segment

About us:





Packing □ Delivery:

PS:

- 1.Tools packing in carton cases
- 2.By Air/Sea for batch goods, Airport/Port receiving
- 3.Less than 45kg, generally delivery by express(Door to Door)□
- 4.When tools are in large quantities, they are packing in wooden cases



Our service:

1. Low order quantity: It can meet the test order you need.
2. Fast delivery: We get great discounts from freight forwarders.
3. OEM Acceptable: We can produce according to your samples or drawings.
4. Good quality: We have a strict quality control system. Has a good reputation in the market.
5. Good service: We regard our customers as God with a high degree of professionalism and enthusiasm.

FAQ:

1. If we want to order your product, how do we know your quality?

You can test with a small order, and then you will know the quality. Nowadays, many people in the world use Chinese products because of their high quality and high cost performance. We are a professional diamond tool manufacturer with more than 8 years of manufacturing experience.

2. Can you provide samples for free?

We do not provide free samples. Based on years of experience, we believe that customers will want them because of their reliable quality. By purchasing samples, we will cherish and appreciate them and make them get more. We are ready to offer our potential customers a special discount on samples. It's very important that you give us feedback, and we will

appreciate it.

3. Does your company accept customization?

Of course, we accept customization. Including different colors, cutting objects, etc. We can also tag your own label and company brand. If you want us to make any new products for you, just send your products to us. Whether it's drawings or samples, we have the ability to produce the same products. We will not sell these products to others, only customers can get permission.

Please note:

Please use high frequency Silver Welded machine instead of Fire to make the brazing, the welding time is only a few seconds, otherwise the diamond inside the segments will probably be damaged by the high temperature, then the cutting performance will be Reduced!

Contact us:

Fujian Nanan **boreway**® Machinery Co.,Ltd.



No.605 Huahui Center, Shuitou Town 362342 Quanzhou, Fujian, China



TEL: (+86)595-86990206 /



Fax: (+86)595-86990220



Mobile/WhatsApp/Wechat: (+ 86) 18650679939



E-mail: boreway@boreway.com



Lyon Chang