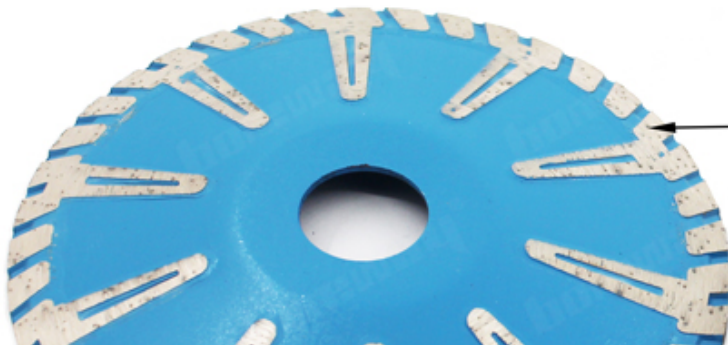


Factory Direct Hot Press Turbo Rim 7" Concave Saw Blades 180mm Convex Diamond Sandstone Marble Cutting Discs For Manufacturer

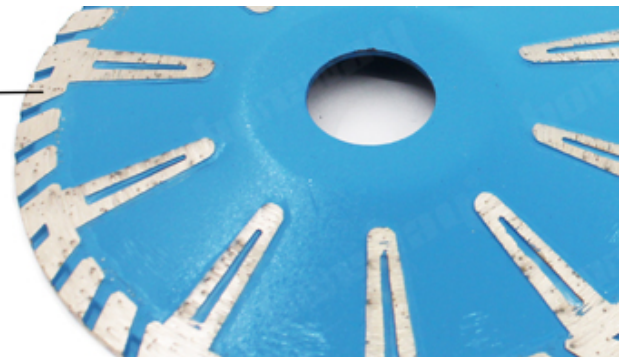
Feature:

Hot Press Turbo Rim Concave Saw Blades

1. Accept small quantity orders
2. Long life and stable performance
3. Produce all kinds of specifications
4. Any package according to customers
5. Good cutting result and high efficiency



1. The cutting is smooth and smooth, the cutting seam is small, and the forming is accurate.



2. Corrugated tooth shape, fast chip removal, conducive to cutting, high cutting efficiency



3. With T-shaped reinforced protection teeth, the service life of the saw blade is longer.

Advantage:

Hot Press Turbo Rim Concave Saw Blades

1. Wet cutting or wet cutting turbo help to cooling and bring the dust out, so more efficient fast and stable in cul

- 2. Hot-pressed sintered blades provide long working lifements which can cutting multi materials
- 3. Fast cutting andow wasteHard material, granite marble concrete brick ect.
- 4. Professional quality, very fast cutting Blade intended for cutting on granite concrete Accurate and smooth precision cuts

Factory=Quality Control=Competitive Price=Own technology=OEM

Our factory use original high grade diamond



Other factory mix second diamond selected from waste segment

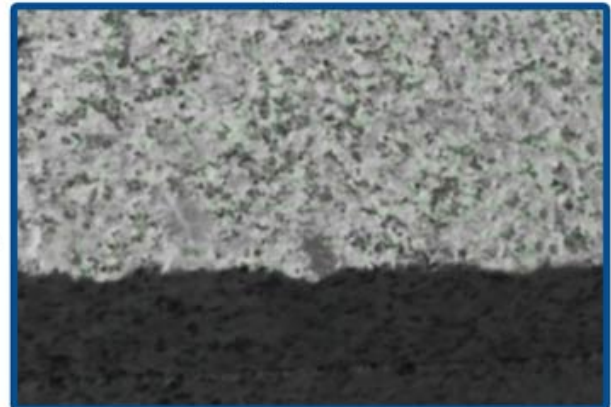


pk

Our blade cutting effect



Other supplier blade cutting effect



pk

Description:

Hot Press Turbo Rim Concave Saw Blades on both sides improve cured cutting, minor grinding and help prevent binding for cured cutting in Granite and Marble.

S
e
g
m
e
n
t
:
i
g
h
t
:

2
2
2
3
m
m

7
S
i
n
c
e
r

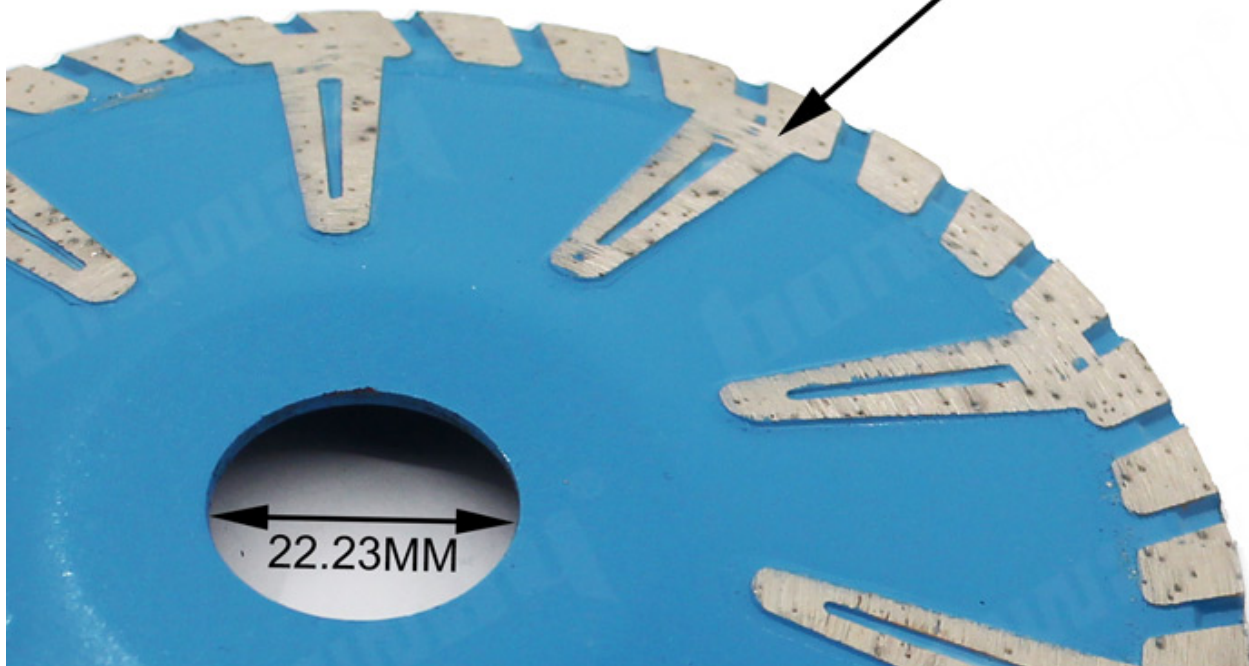
B
|
A
d
e
m
y
s
e
e
e
B
|
:

O r t D i s t r i b u t i o n . . . U n d e r s t a n d e n d e S i t u a t i o n . . . S e s s

GOOD CUTTING PRACTICES EFFICIENCY

S
t
o
n
e
,
G
r
a
n
i
t
e
,
T
i
b
b
e
,
M
a
t
b
b
e
;
C
o
n
c
r
e
t
e
,
E
t
c
.

T Shaped Turbo Segment





Specification:

The following are normal specifications **Hot Press Turbo Rim Concave Saw Blades:**

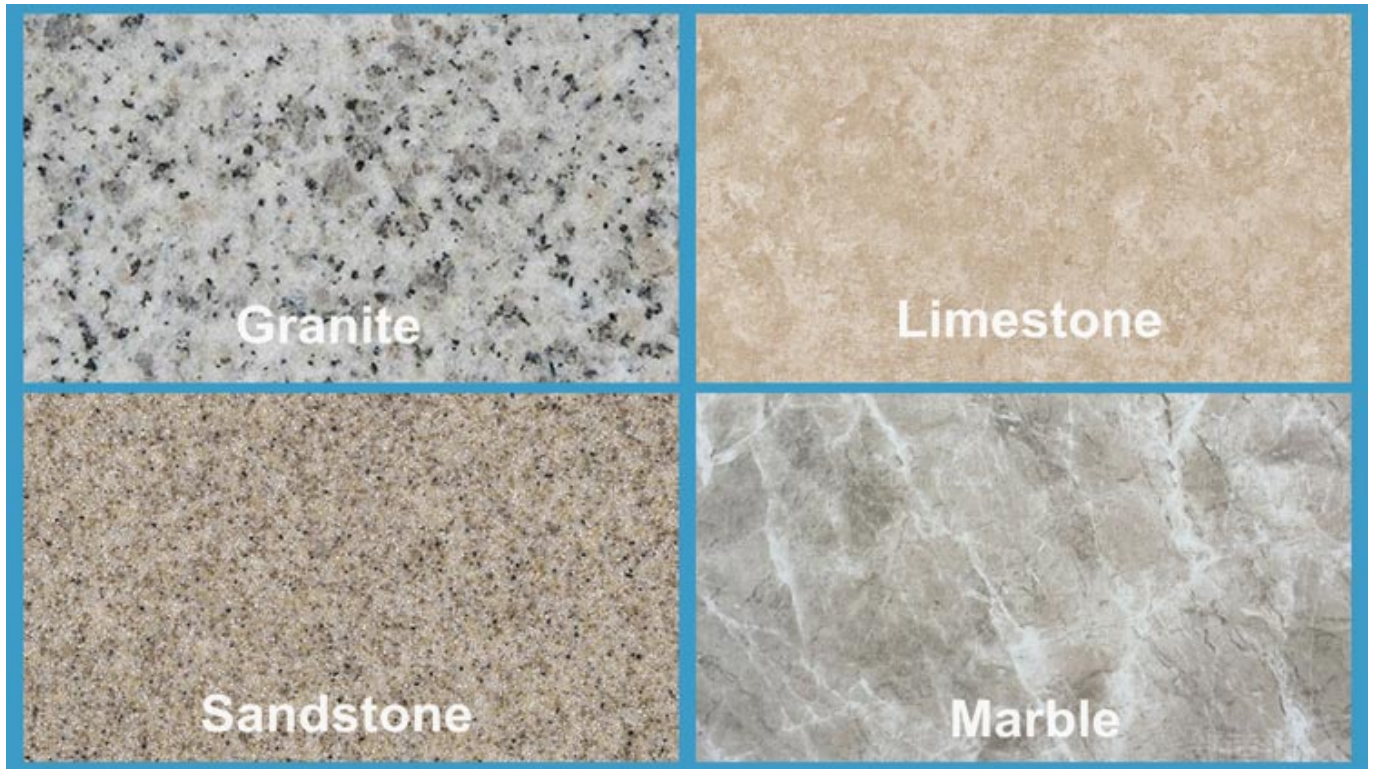
1
2
3
4
5
6
7
8
9
10
11
12
13
14
15
16
17
18
19
20
21
22
23
24
25
26
27
28
29
30
31
32
33
34
35
36
37
38
39
40
41
42
43
44
45
46
47
48
49
50
51
52
53
54
55
56
57
58
59
60
61
62
63
64
65
66
67
68
69
70
71
72
73
74
75
76
77
78
79
80
81
82
83
84
85
86
87
88
89
90
91
92
93
94
95
96
97
98
99
100

The above specifications is only for reference, other specifications may be available as per customer's demand.



Application:

Hot Press Turbo Rim Concave Saw Blades are designed for cutting granite sinks, counter tops, granite, marble, stone, masonry, hard brick etc construction materials.



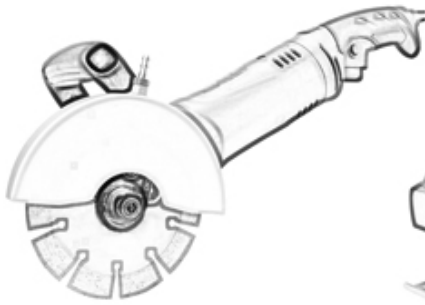
Attention when use:

1. Before saw blade installed, pollutions adhering between saw blade and flange shall be removed,
when installing saw blade, the marked direction shall be kept consistent with the rotating direction of electric tools, and flange shall be fastened by spanner attached to electric tools.
2. Do not use any saw blade that has been deformed for being pressed or crashed.
3. When operating, operator must wear safety helmet, safety footwear and goggles, protective glove, additionally, if necessary operator must use earplug, mask and so on
4. Electric tools shall have protective cover.

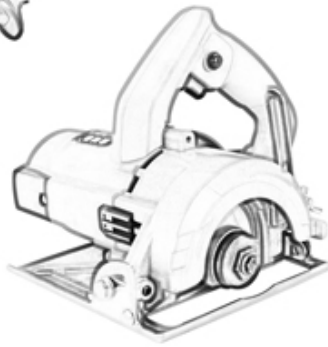


Applications Machine:

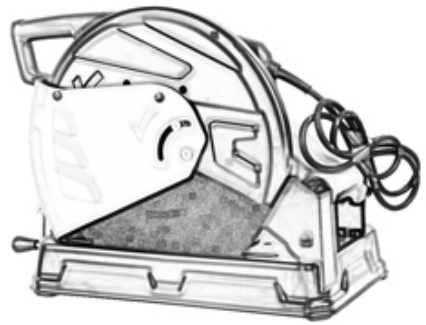
Hot Press Turbo Rim Concave Saw Blades for all kinds of manual cutting machines or angle grinders.



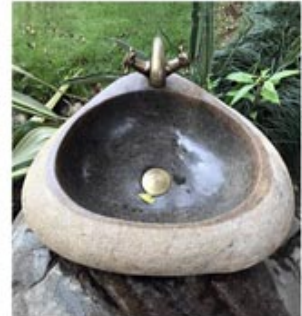
Angle Grinders Machine



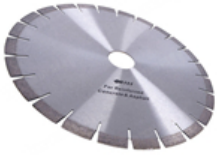
Manual Cutting Machine



Hot Press Turbo Rim Concave Saw Blades is used to cut round or arc-shaped wire board protection. The cutting effect on both the inner and outer sides is also excellent.



Related Products:



Boreway Machinery Co.,Ltd
www.fordiamondtools.com
www.diamondtools.top

14 Inch Silent Diamond Concrete Saw Blade



Boreway Machinery Co.,Ltd
www.diamondtools.top
www.boreway.net

circular Saw Blade Segments for Block Stone

About Us:



Packing & Delivery:

PS:

- 1.Tools packing in carton cases
- 2.By Air/Sea for batch goods, Airport/Port receiving
- 3.Less than 45kg, generally delivery by express(Door to Door)
- 4.When tools are in large quantities, they are packing in wooden cases



Our service:

1. Low order quantity: It can meet the test order you need.
2. Fast delivery: We get great discounts from freight forwarders.
3. OEM Acceptable: We can produce according to your samples or drawings.
4. Good quality: We have a strict quality control system. Has a good reputation in the market.
5. Good service: We regard our customers as God with a high degree of professionalism and enthusiasm.

FAQ:

1. If we want to order your product, how do we know your quality?

You can test with a small order, and then you will know the quality. Nowadays, many people in the world use Chinese products because of their high quality and high cost performance. We are a professional diamond tool manufacturer with more than 8 years of manufacturing

experience.

2. Can you provide samples for free?

We do not provide free samples. Based on years of experience, we believe that customers will want them because of their reliable quality. By purchasing samples, we will cherish and appreciate them and make them get more. We are ready to offer our potential customers a special discount on samples. It's very important that you give us feedback, and we will appreciate it.

3. Does your company accept customization?

Of course, we accept customization. Including different colors,