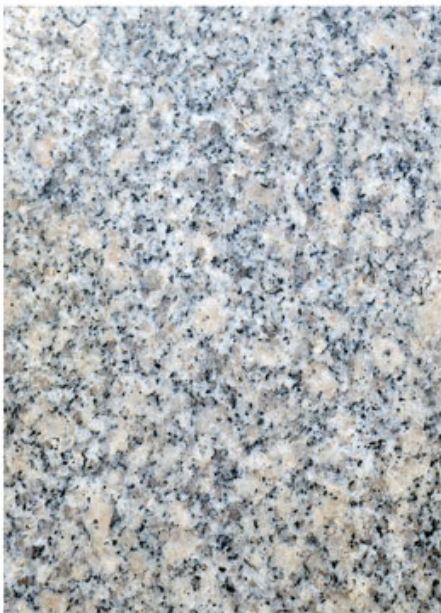


Advantage:

Single Turbo Row Cup Wheel with aluminum base , for fast beveling , smoothing and shaping .

Designed for faster and more aggressive grinding and shaping for granite, marble and natural stone.



Granite



Marble



Quartz

And Other Natural Stones.

Aluminum turbo diamond grinding cup wheel features light weight aluminum-body for less stress on the grinder than the normal steel body.

Specifications:

The followings are the aluminum based single turbo diamond cup wheel:

Product Name	Item Number	Diameter (Inch/mm)	Seg.W*H (Inch/mm)	Arbor (mm)	Segment Number
Aluminum Based Single Turbo Diamond Cup Wheel	BCW0504	4"/105	6*20	16/22.23	24
	BCW0505	5"/125	6*20	16/22.23	26
	BCW0506	6"/150	6.5*20	16/22.23	28
	BCW0507	7"/180	6.5*20	16/22.23	30

Other specifications are available upon request.

Product Details:

Aluminum based single turbo diamond cup wheel

M14 Aluminum Based Diamond Grinding Wheel

Higher efficient

Lower noise



M14 Thread



7mm Thickness



#30
Coarse

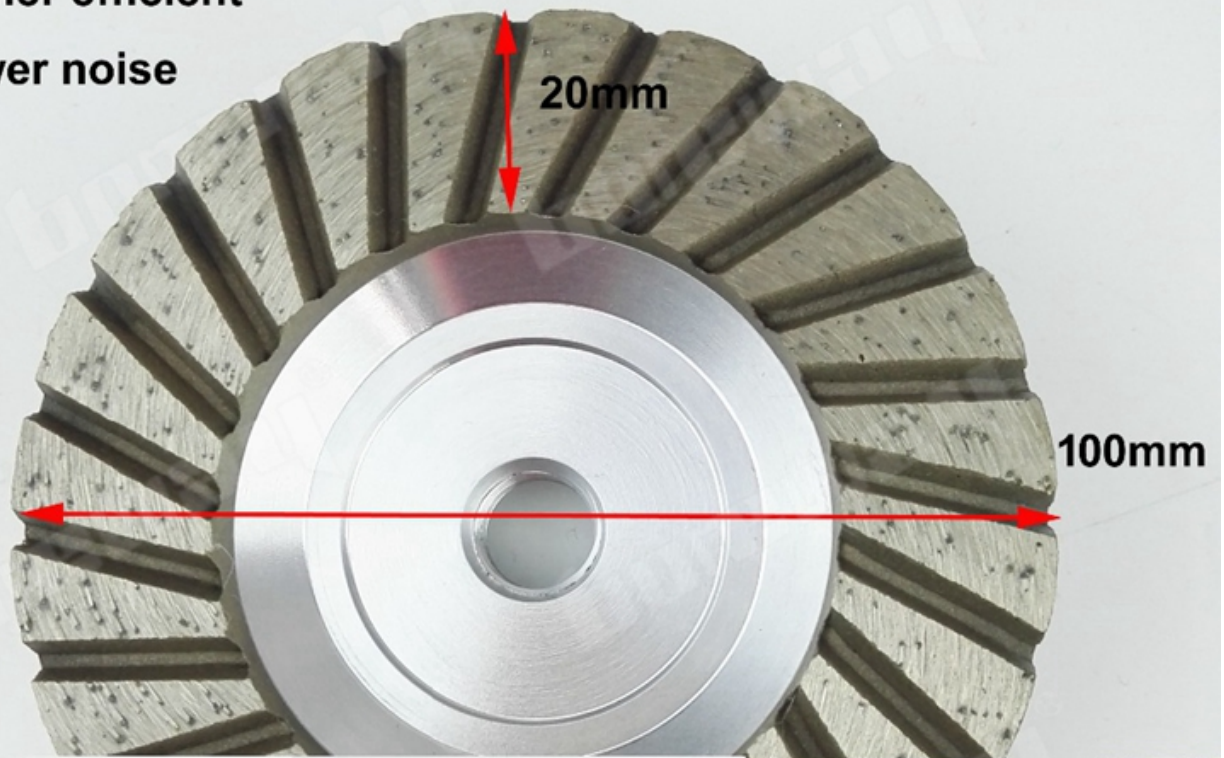
#50
Medium

#100
Fine

M14 Aluminum Based Diamond Grinding Wheel

Higher efficient

Lower noise



M14 Thread



7mm Thickness



#30
Coarse

#120
Fine



#30



#50



#100







Other Size

Diameter		Connection	Segment size	Grits
4 inch	100mm	Bore 22.23mm (7/8inch) with reducer washer 16mm	7mm thickness	30
4 inch	100mm	Bore 22.23mm (7/8inch) with reducer washer 16mm	7mm thickness	120
4 inch	100mm	M14 Thread	7mm thickness	30
4 inch	100mm	M14 Thread	7mm thickness	120

[If you are interested in our products, you can click on me.](#)

Applications:

4 inch #100 Aluminum Based Diamond Grinding Cup Wheel with M14 Thread For Granite Concrete Fine Grinding

For grinding concrete floor, granite, marble, etc.





Feature:

1. #30 for first step coarse grinding, #50 for the medium next step, #100 for fine grinding.
2. Grit #100 diamond grits provide great finishing and much longer working life.
3. Aluminum base provide light weight and lower noise.
4. Hot-Pressed segments, efficient and smooth grinding.

5. 4 inch Aluminum Based Diamond Grinding Cup Wheel resin filled help to get better finishing, less scratch.

Related Products:



Boreway Machinery Co., Ltd.
www.diamondtools.top
www.boreway.net

[Single Row Grinding Cup Wheel](#)



Boreway Machinery Co., Ltd.
www.diamondtools.top
www.boreway.com

[Diamond Double Row Cup Wheel](#)

About us:



Our service:

1. Low order quantity: It can meet the test order you need.
2. Fast delivery: We get great discounts from freight forwarders.
3. OEM Acceptable: We can produce according to your samples or drawings.
4. Good quality: We have a strict quality control system. Has a good reputation in the market.
5. Good service: We regard our customers as God with a high degree of professionalism and enthusiasm.

Description:

1. If we want to order your product, how do we know your quality?
 Please test in a very small order and then you will know the quality. Now, so Many people in the world use Chinese products because of their high quality and high quality.

competitive price. We are a professional diamond tool manufacturer.
In any case, for more than 8 years, confirm the quality of our products, small test orders will be tested necessary.

Can you provide samples for free?

We do not provide free samples. Based on years of experience, we believe that people will get them.

By paying for samples, we will cherish and appreciate the more they get. We would have been

Be prepared to offer our potential customers a special discount for participating in the test. It is very important to provide feedback to us and we will be very grateful.

3. Does your company accept customization?

Of course, we accept it. Includes different colors, gravel, etc. We can also tag your own logo And the brand on the board. You want us to produce any new products for you, just send us your products.

Drawing or sample, we produce the same. We will not sell such products to others Only customers can get a license.

Please note:

1. Please provide items before purchase.
2. Please provide the model number before purchase.
3. Other specifications can be customized according to requirements.


Contact us:

Fujian Nanan *boreway* Machinery Co.,Ltd.

 No.605 Huahui Center, Shuitou Town 362342 Quanzhou, Fujian, China

 **TEL:** (+86)595-86990206 /  **Fax:** (+86)595-86990220

 **Mobile/WhatsApp/Wechat:** (+ 86) 18650679939

 **E-mail:** boreway01@boreway.com

 **Kelly Huang**