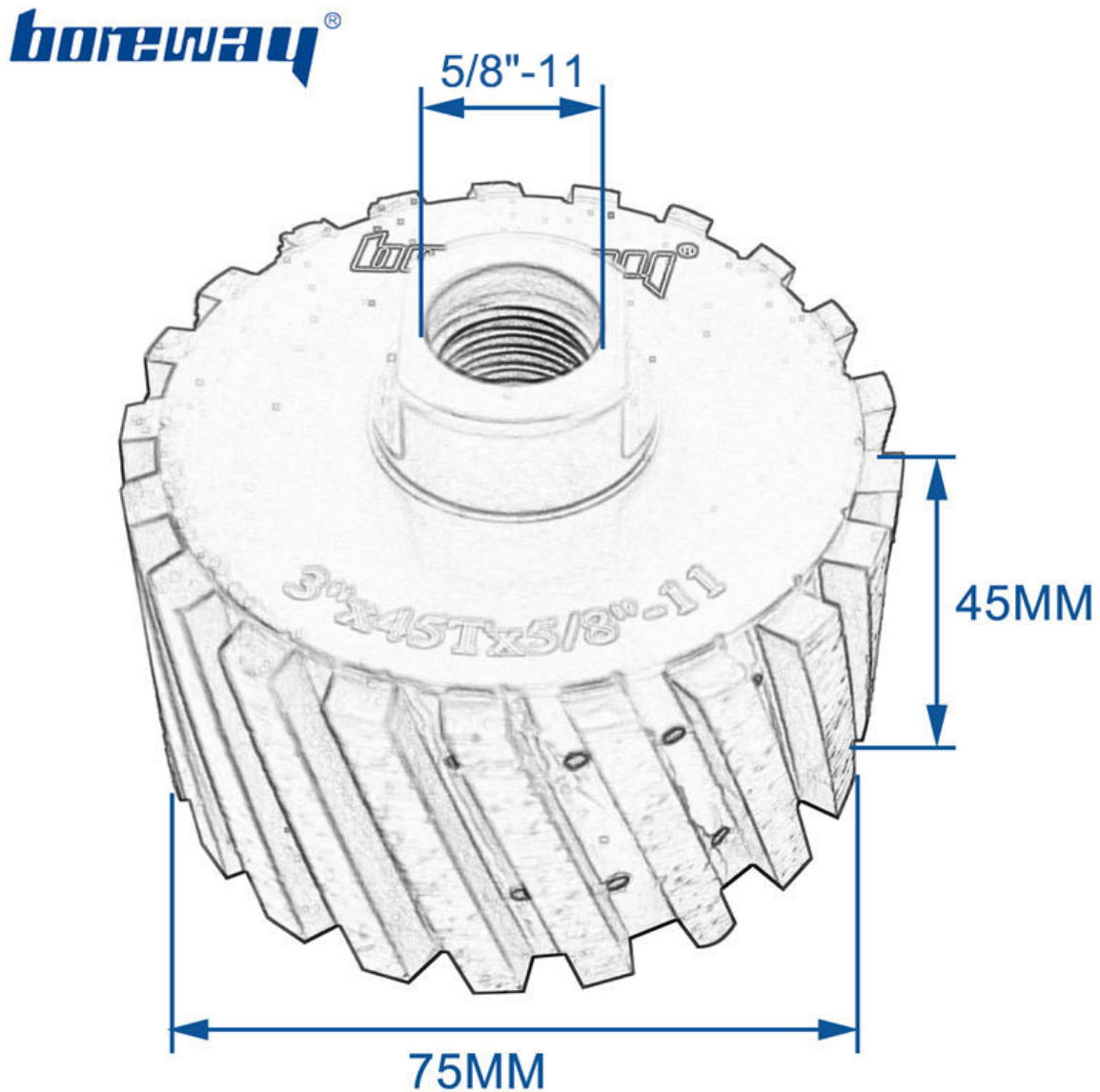


Product Description:

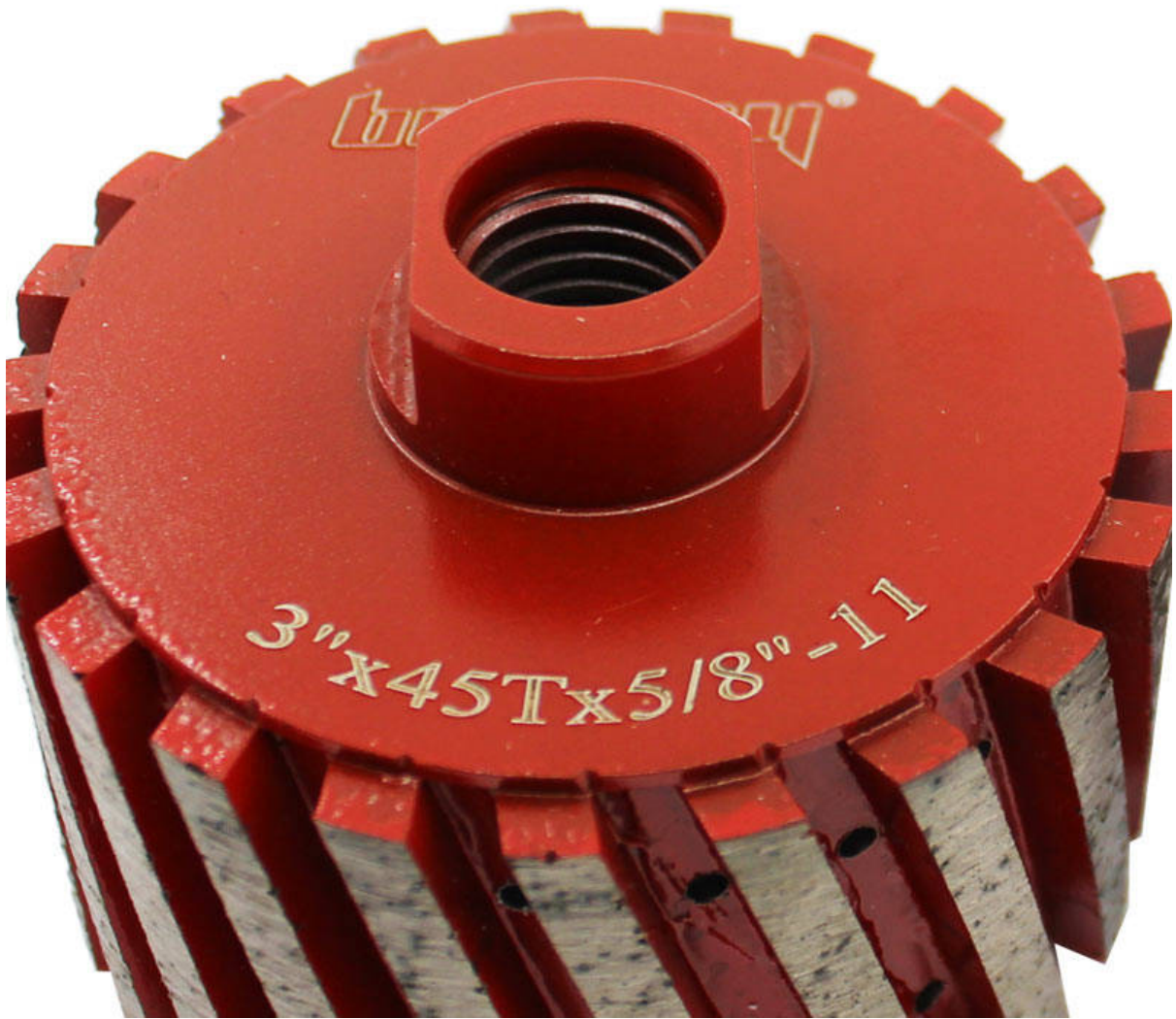
75MM Zero Tolerance Grinding Wheel Manufacturer is the most effective tool to grind the tight radius on granite or other stone, it can be a twisted metal drum wheel in 1" 25mm, 2" 50mm, 3" 75mm, 4" 100mm or larger (special size).

1. **75MM Zero Tolerance Grinding Wheel Manufacturer**, Diamond Wheel is the fastest way to remove material after cutting out sink holes.

2. Be designed for stock removal on granite marble by grinding away excess stone.



boreway[®]



boreway[®]



1.Zero Tolerance Grinding Diamond Wheel for Grinding Basin are mainly used for hole grinding, anchor and blind hole.which is the most effective way to grind and polish the tight radius.

2.Zero Tolerance Grinding Wheel for Manufacturer are for grinding and polishing sink holes on the slab, kitchens etc., which is the most effective way to grind and polish the tight radius.

3.Great for both aggressive stock removal (non-resin filled) or fine edge truing (resin-filled) with sink cut-outs in vanities and counter tops.

Advantages:

1.Smooth milling without stone edge damage.

2.High efficiency,long lifespan and fast milling speed.

3. The most popular tool for truing vanity sink cut-outs.

4. Perfect balance with zero vibration and stable performance.

For More Products, Please Click: [Diamond Drum Cutter Wheel for Supplier](#)

Specification:

The followings are **75MM Zero Tolerance Grinding Wheel Manufacturer** the normal specifications:

Diameter	Segment Length	Connector / Bore
3Inch 75mm	45mm	5/8"-11

[Zero Tolerance Grinding Wheel Manufacturer](#)

Brand Name	Diameter	Segment Length	Bore
BW-ZTW-M01	25mm (1")	35mm 40mm 45mm	M14 M16 5/8"-11 1/2"G
	50mm (2")		
	75mm (3")		
	100mm (4")		

Working Method	Use Machine
Wet or Dry Use	Semi-CNC Machines And Angle Grinders

Application:

Use Type: Wet Use.

75MM Zero Tolerance Grinding Wheel

Manufacturer are used for very aggressive grinding applications and removal of stock on a variety of materials including granite, concrete, limestone, marble, block, terrazzo and more.

Using a diamond drum wheel is the fastest way to remove material after cutting out sink holes with a diamond blade, or to shape a radius on the outside edge.





About us:



Packing □ Delivery:

1. Tools packing in carton cases
2. By Air/Sea for batch goods, Airport/Port receiving
3. Less than 45kg, generally delivery by express(Door to Door□)
4. When tools are in large quantities, they are packing in wooden cases



- For sample or small orders, products could be sent by express, TNT, DHL, UPS, FedEx, EMS etc.
- For large orders, shipping by sea or air is recommended. By our long-term cooperate agent or your appointed forward.
- By sea, port of loading: Shanghai, Ningbo, Xiamen, Qingdao etc.



Our Service:

1. Low order quantity: It can meet the test order you need.
2. Fast delivery: We get great discounts from freight forwarders.
3. OEM Acceptable: We can produce according to your samples or drawings.
4. Good quality: We have a strict quality control system. Has a good reputation in the market.
5. Good service: We regard our customers as God with a high degree of professionalism and enthusiasm.

FAQ:

1.How could we know the quality, if we want to order your products?

Please just test them with a very small order, then you will know the quality. At present,so many people in the world to use Chinese products, because of the high quality and most competitive prices. We are professional manufacturer in supplying diamond tools for more than 8 years. Anyway, confirming our products quality, a small trial order for testing will be necessary.

2.Can you offer free samples?

We don't offer free samples, according to our many years experience, we think

people get the samples by paying, they will cherish and appreciate more what they get. But we are willing to give our potential customers a special discount which they are used to do a testing. It is very important to give us feedback, we appreciate it.

3.Does your company accept custom-made?

Surely, we accept it. Including differentcolor, grit etc. We a Iso can mark your ownlogo and brand on the pad. Any new productsyou want us to produce for you, just send us your drawing or sample, we will produce the same one. We will not sell this kind of products to other customers only if we get your permission.

Logistics:

Sample order ship by DHL, UPS, FedEx, TNT, EMS etc

For mass order delivery, can be optional with terms of Exwork, FOB, CNF, CIF by air or by sea based on the buyer's forwarder or ours

Contact Us:

Fujian Nanan *boreway* Machinery Co.,Ltd.



No.605 Huahui Center, Shuitou Town 362342 Quanzhou, Fujian, China



TEL: (+86)595-86990206 /  **Fax:** (+86)595-86990220



Mobile/WhatsApp/Wechat: (+ 86) 18650679939



E-mail: boreway@boreway.com



Lyon Chang