

4 Inch Aluminum Base Turbo Diamond Cup Wheel For Concrete Granite

Descriptions:



4 Inch Aluminum Base Turbo Diamond Cup Wheel For Concrete Granite

4 Inch aluminum base turbo diamond cup wheel is mainly used for chamfering, leveling, rough grinding and fine grinding of stone edge, surface and curved surface. The utility model has the advantages of convenient use, high grinding efficiency, and is an effective tool for quickly grinding, trimming and shaping concrete, stone and stone materials, which is usually used on hand electric or pneumatic tools.

Specifications:

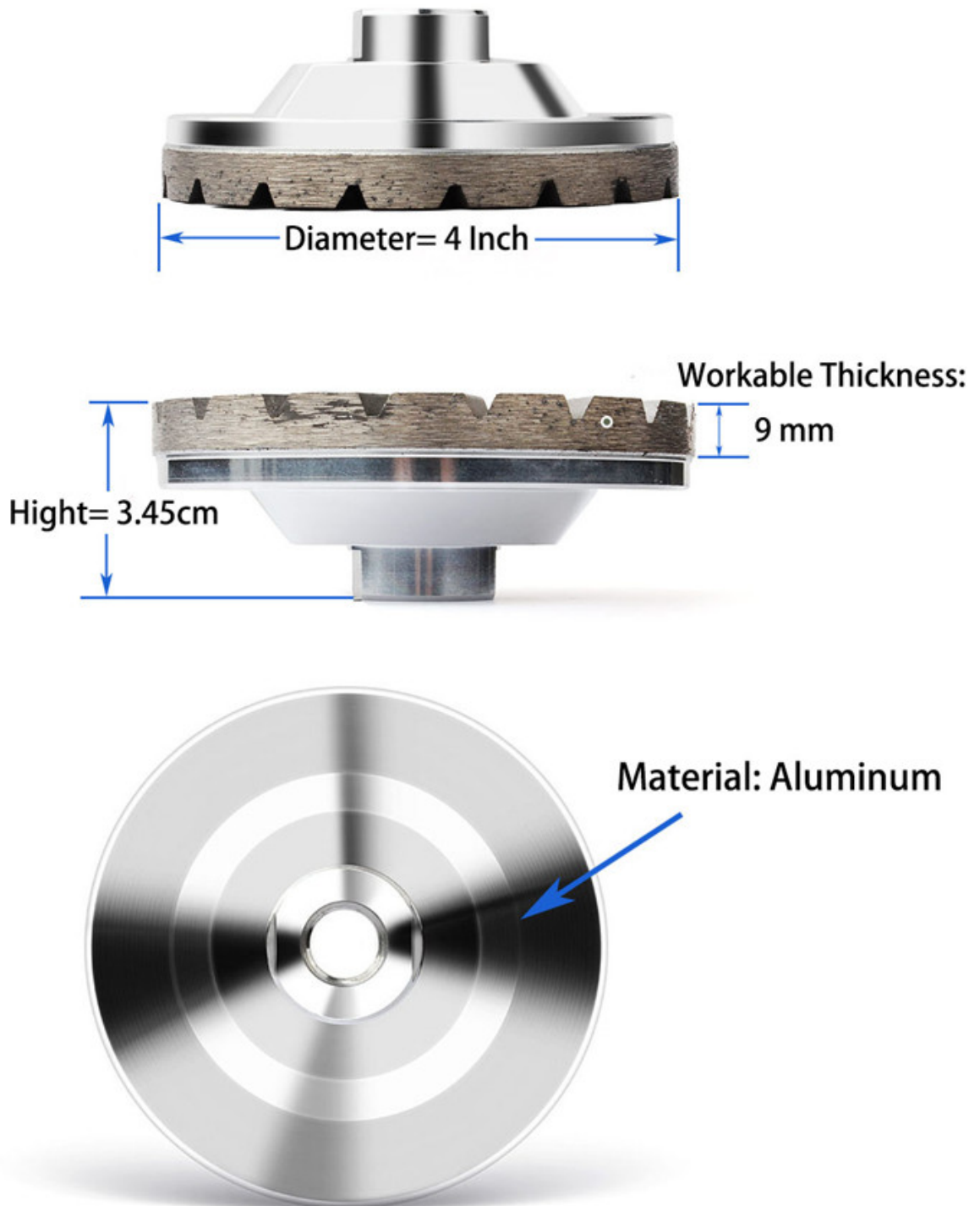
The following are normal specifications of **4 inch aluminum base turbo diamond cup wheel**:

Thread	M14
Segment Height	9 mm
Diameter	4 Inch
Bonding Agent	Metal
Use Type	Wet Use
<?xml:namespace prefix = o />Model No.	BW-DCW-D100-90
Machine	For Hand Electric Or Pneumatic Tools
Application	Widely Used For Granite, Marble, Concrete

The above specification & photos is only for reference, other specification or design can be ordered by customers.

Product Details:

4 Inch aluminum base turbo diamond cup wheel



Applicable Machines:

4 inch aluminum base turbo diamond cup wheel can be used with angle grinder, hand electric or pneumatic tools and ect.



**It Can Be Used On Angle Grinder
Directly Or Installed On The Angle
Grinder With An Extension Pole.**

Application:



Advantages:

1. Precise shape, good grinding effect and long service life.
2. Our products are strictly tested before leaving the factory.
3. High grinding efficiency, different binders can be used for different grinding objects.

Features:

1. Easy to use and quick change.
2. Economical and good perform.
3. Factory direct sales, affordable price, low comprehensive cost.
4. The specifications can be customized according to customers' needs.

Related Products:



Boreway Machinery Co., Ltd
www.diamondtools.shop
www.boreway.net

Diamond Turbo Row Grinding Cup Wheel



Boreway Machinery Co., Ltd
www.diamondtools.shop
www.boreway.net

Diamond Single Row Grinding Cup Wheel

About us:



Our service:

1. Low order quantity: It can meet the test order you need.
2. Fast delivery: We get great discounts from freight forwarders.
3. OEM Acceptable: We can produce according to your samples or drawings.

4. Good quality: We have a strict quality control system. Has a good reputation in the market.
5. Good service: We regard our customers as God with a high degree of professionalism and enthusiasm.

Description:

1. If we want to order your product, how do we know your quality?

Please test in a very small order and then you will know the quality. Now, so Many people in the world use Chinese products because of their high quality and high quality.

competitive price. We are a professional diamond tool manufacturer.

In any case, for more than 8 years, confirm the quality of our products, small test orders will be tested necessary.

Can you provide samples for free?

We do not provide free samples. Based on years of experience, we believe that people will get them.

By paying for samples, we will cherish and appreciate the more they get. We would have been

Be prepared to offer our potential customers a special discount for participating in the test. It is very important to provide feedback to us and we will be very grateful.

3. Does your company accept customization?

Of course, we accept it. Includes different colors, gravel, etc. We can also tag your own logo And the brand on the board. You want us to produce any new products for you, just send us your products.

Drawing or sample, we produce the same. We will not sell such products to others Only customers can get a license.

Please note:

1. Please provide items before purchase.
2. Please provide the model number before purchase.
3. Other specifications can be customized according to requirements.

Contact us:

Fujian Nanan **boreway** Machinery Co.,Ltd.



No.605 Huahui Center, Shuitou Town 362342 Quanzhou, Fujian, China



TEL: (+86)595-86990206 /  **Fax:** (+86)595-86990220



Mobile/WhatsApp/Wechat: (+ 86) 13557694058



E-mail: boreway07@boreway.net



Anna Shen