

4 Inch 100mm Snail Lock Edge Aluminum Rubber Adapter Backer Pad

Descriptions:



4 Inch 100mm Snail Lock Edge Aluminum Rubber Adapter Backer Pad

4 Inch snail lock edge aluminum rubber adapter is made of aluminum and rubber. One end is the thread, and the other side is turnbuckle adapter with polishing pad. Rubber play a role in shockproof aspect.

Specifications:

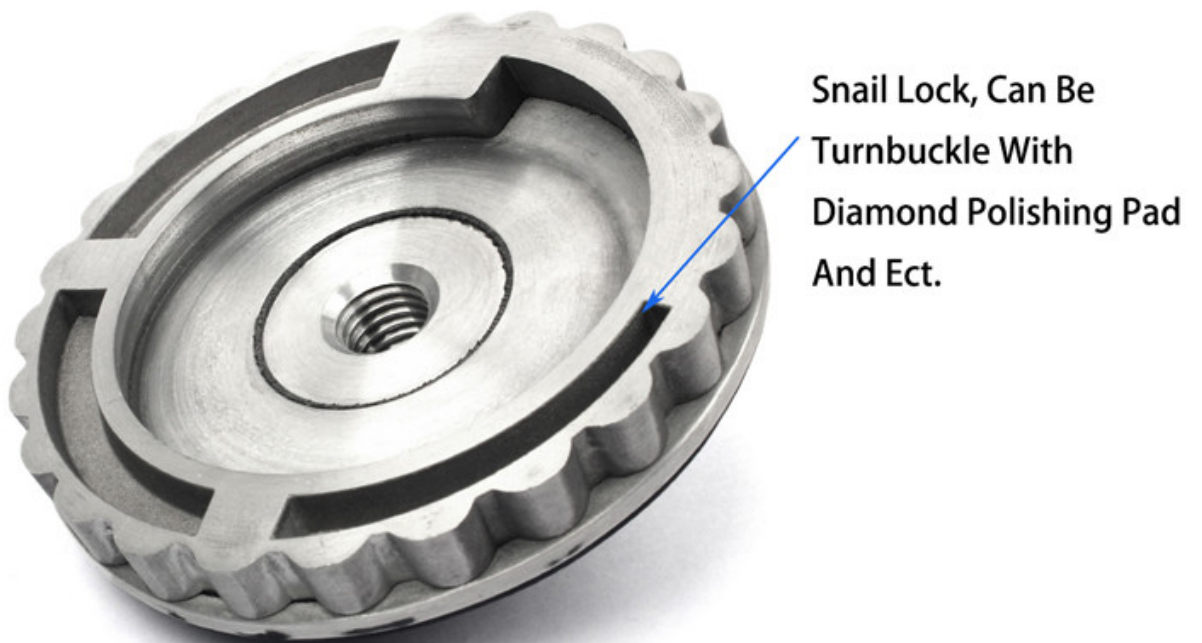
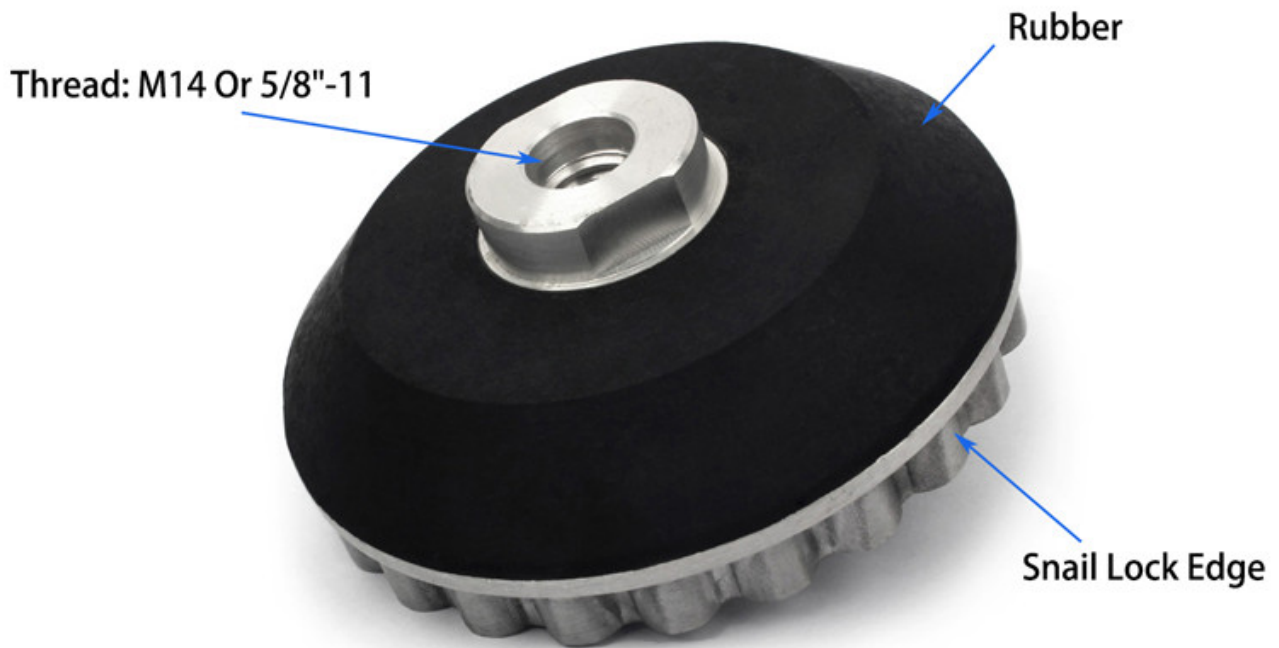
The following are normal specifications of **4 inch snail lock edge aluminum rubber adapter**:

Brand	Boreway
Name	<code><?xml:namespace prefix = o /></code>
Diameter	4 Inch
Thread	M14 Or 5/8"-11
Product No.	BW-BP-D100-81
Material	Aluminum, Rubber
Type	Snail Lock Edge Adapter
Machine	For Car Polisher, Electric Polisher, Angle Grinder, Drill Bit, And Etc
Application	Widely Used In Grinding, Polishing Artificial Stone, Furniture And Wood Product, Metal Etc

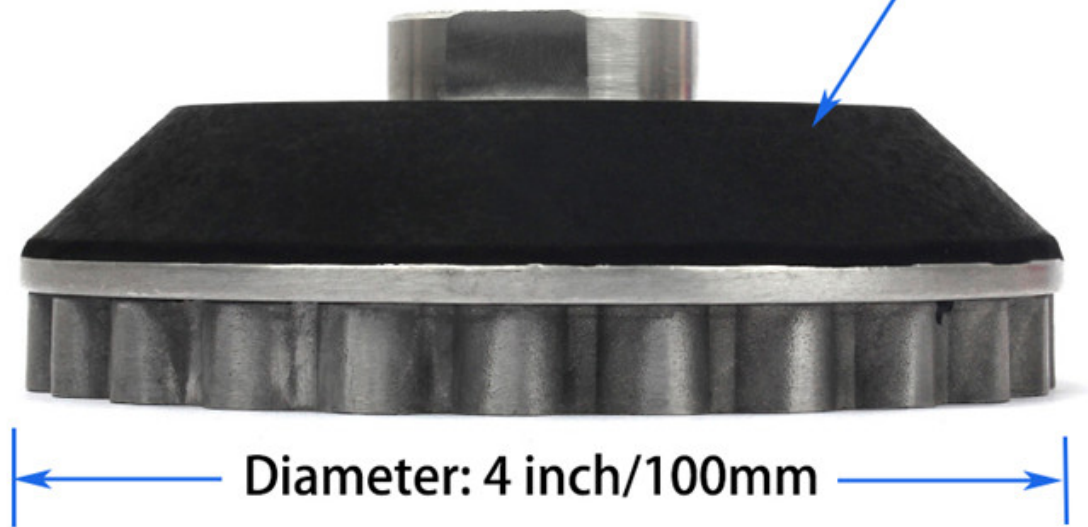
The above specification & photos is only for reference, other specification or design can be ordered by customers.

Product Details:

4 Inch snail lock edge aluminum rubber adapter



Rubber Can Reduce Vibration



Applicable Machines And Effect:

4 Inch snail lock edge aluminum rubber adapter can be used with polisher, angle grinder, pneumatic or electric polishing machine and ect.

Hand-hold Machine





Angle grinder



Polisher

Advantages:

1. Competitive price.
2. Rubber can reduce vibration.

Features:

1. Lighter weight.
2. Easy to use and quick change.

Related Products:



Boreway Machinery Co., Ltd
www.diamondtools.usp
www.boreway.net

5/16"-24 Thread Backer Pad



Boreway Machinery Co., Ltd
www.diamondtools.usp
www.boreway.net

5 Inch Foam Backer Pad

About us:



Our service:

1. Low order quantity: It can meet the test order you need.
2. Fast delivery: We get great discounts from freight forwarders.
3. OEM Acceptable: We can produce according to your samples or drawings.
4. Good quality: We have a strict quality control system. Has a good reputation in the market.
5. Good service: We regard our customers as God with a high degree of professionalism and enthusiasm.

Description:

1. If we want to order your product, how do we know your quality?

Please test in a very small order and then you will know the quality. Now, so Many people in the world use Chinese products because of their high quality and high quality.

competitive price. We are a professional diamond tool manufacturer.
In any case, for more than 8 years, confirm the quality of our products, small test orders will be tested necessary.

Can you provide samples for free?

We do not provide free samples. Based on years of experience, we believe that people will get them.

By paying for samples, we will cherish and appreciate the more they get. We would have been

Be prepared to offer our potential customers a special discount for participating in the test. It is very important to provide feedback to us and we will be very grateful.

3. Does your company accept customization?

Of course, we accept it. Includes different colors, gravel, etc. We can also tag your own logo And the brand on the board. You want us to produce any new products for you, just send us your products.

Drawing or sample, we produce the same. We will not sell such products to others Only customers can get a license.

Please note:

1. Please provide items before purchase.
2. Please provide the model number before purchase.
3. Other specifications can be customized according to requirements.

Contact us:

Fujian Nanan *boreway* Machinery Co.,Ltd.

 No.605 Huahui Center, Shuitou Town 362342 Quanzhou, Fujian, China

 **TEL:** (+86)595-86990206 /  **Fax:** (+86)595-86990220

 **Mobile/WhatsApp/Wechat:** (+ 86) 13557694058

 **E-mail:** boreway07@boreway.net

 **Anna Shen**