

Product Description:

Segment Size: 2 x 1/4 PCD + 1 x Rectangle Segment

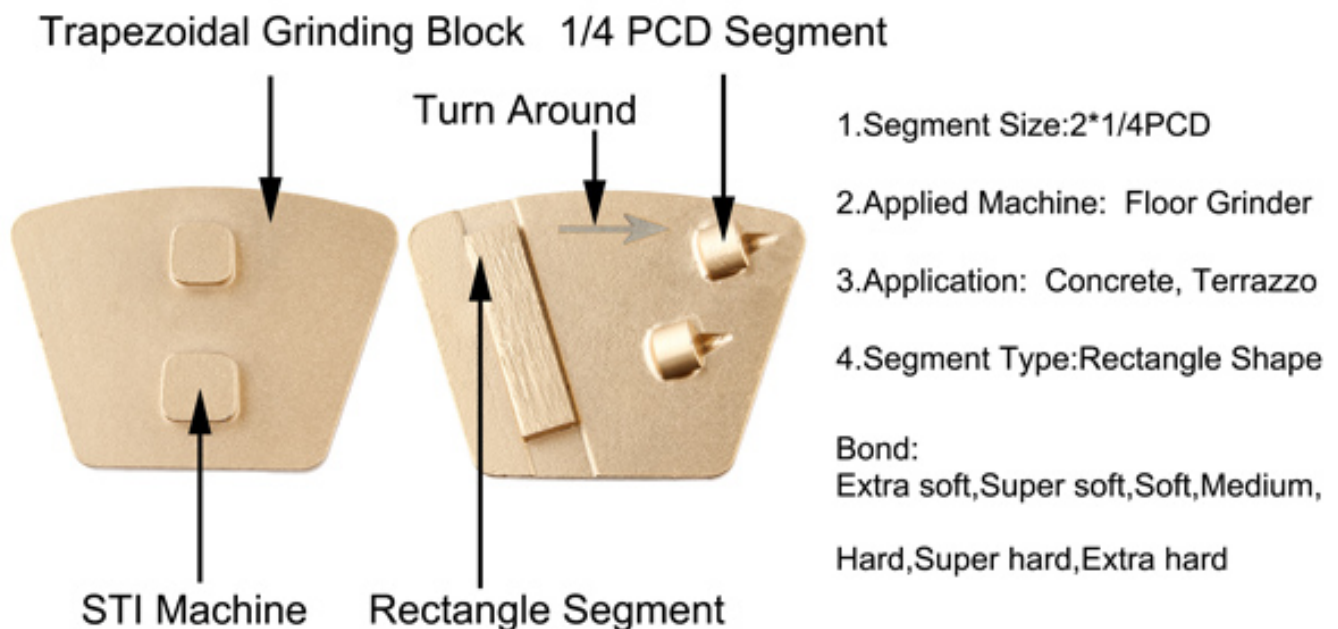
Bond: Extra Soft, Super Soft, Soft, Medium, Hard, Super Hard, Extra Hard

At some purpose, you will need to get rid of epoxy flooring from your room, basement, or garage, to vary the color or replace it because of wear. PCD tool is the right choice.

1/4 PCD Segment Pad for Epoxy Removal Floor, are designed for aggressive coating removals of epoxy, glue, resin, etc. The main material PCD (Polycrystalline Diamond) comes in a PCD top and tungsten carbide substrate.

Grit No.: 6#, 16#, 20/25#, 30/40#, 50/60#, 70/80#, 80/100#, 120/150#, 200/220#, 325/400#

The high abrasive resistance makes it extremely useful for floor coating removals.



Specification:

The followings **1/4 PCD Segment Pad for Epoxy Removal Floor** are the normal specifications:

Segment Size	Segment Type	Machine
2x1/4 PCD	Rectangle Segment + PCD	STI Floor Grinder

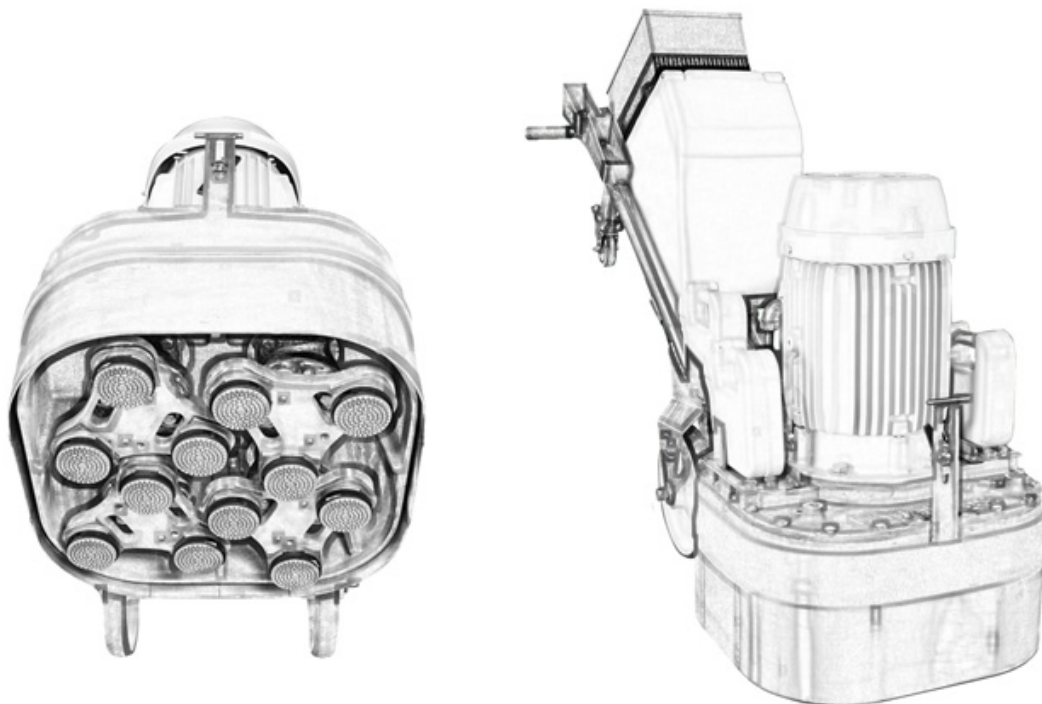
Other connection and specification can be customized according to need

[If you need it, please continue contact with us, you can click here](#)

Note: The PCD coating removal tool is directional specific and you should check the rotation direction of the grinder heads.

Application:

Machine: **1/4 PCD Segment Pad for Epoxy Removal Floor For STI Floor Grinder** Suppliers



High quality diamond combain with excellent bond,which specialized design for very aggressive, high-performance, long life diamond grinding tools

PCDs without the Sacrificial Bars provide a deeper surface grinding action.

PCDs with a metal button or sacrificial bars are less aggressive and are designed for thin coating removal.

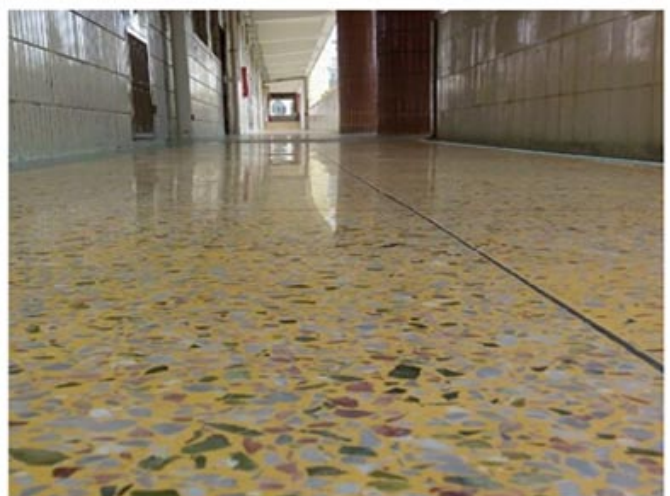
Golden Diamond Tool PCD Grinding Discs PCD scraper For Coating Removal Coating Scanmaskin Grinder

Triangular Scanmaskin Redi Lock PCD Grinding Disc For Manufacturer

High-quality diamond combain with excellent bond,which specialized design for very aggressive, high-performance, long life diamond grinding tools.

Effect:

1/4 PCD Segment Pad for Epoxy Removal Floor use for concrete terrazzo stone floor.



Advantages:

- 1) Lasts much longer than competitive products and will not glaze
- 2) Amazing results on most types of concrete from soft to very hard
- 3) Combination of superior diamonds and an extremely durable and unique matrix
- 4) Removes stock quickly and efficiently to greatly reduce your product and labor cost

About us:



Packing □ Delivery:

- 1.Tools packing in carton cases
- 2.By Air/Sea for batch goods, Airport/Port receiving
- 3.Less than 45kg, generally delivery by express(Door to Door□)
- 4.When tools are in large quantities, they are packing in wooden cases



- For sample or small orders, products could be sent by express, TNT, DHL, UPS, FedEx, EMS etc.
- For large orders, shipping by sea or air is recommended. By our long-term cooperate agent or your appointed forward.
- By sea, port of loading: Shanghai, Ningbo, Xiamen, Qingdao etc.



Our Service:

1. Low order quantity: It can meet the test order you need.
2. Fast delivery: We get great discounts from freight forwarders.
3. OEM Acceptable: We can produce according to your samples or drawings.
4. Good quality: We have a strict quality control system. Has a good reputation in the market.
5. Good service: We regard our customers as God with a high degree of professionalism and enthusiasm.

FAQ:

1.How could we know the quality, if we want to order your products?

Please just test them with a very small order, then you will know the quality. At present,so many people in the world to use Chinese products, because of the high quality and most competitive prices. We are professional manufacturer in supplying diamond tools for more than 8 years. Anyway, confirming our products quality, a small trial order for testing will be necessary.

2.Can you offer free samples?

We don't offer free samples, according to our many years experience, we think

people get the samples by paying, they will cherish and appreciate more what they get. But we are willing to give our potential customers a special discount which they are used to do a testing. It is very important to give us feedback, we appreciate it.

3.Does your company accept custom-made?

Surely, we accept it. Including differentcolor, grit etc. We a Iso can mark your ownlogo and brand on the pad. Any new productsyou want us to produce for you, just send us your drawing or sample, we will produce the same one. We will not sell this kind of products to other customers only if we get your permission.

Logistics:

Sample order ship by DHL, UPS, FedEx, TNT, EMS etc

For mass order delivery, can be optional with terms of Exwork, FOB, CNF, CIF by air or by sea based on the buyer's forwarder or ours

Contact Us:

Fujian Nanan *boreway* Machinery Co.,Ltd.



No.605 Huahui Center, Shuitou Town 362342 Quanzhou, Fujian, China



TEL: (+86)595-86990206 /  **Fax:** (+86)595-86990220



Mobile/WhatsApp/Wechat: (+ 86) 18650679939



E-mail: boreway@boreway.com



Lyon Chang