

10mm, 12mm	6 # -400 #	STI	STI
------------	------------	-----	-----

STI

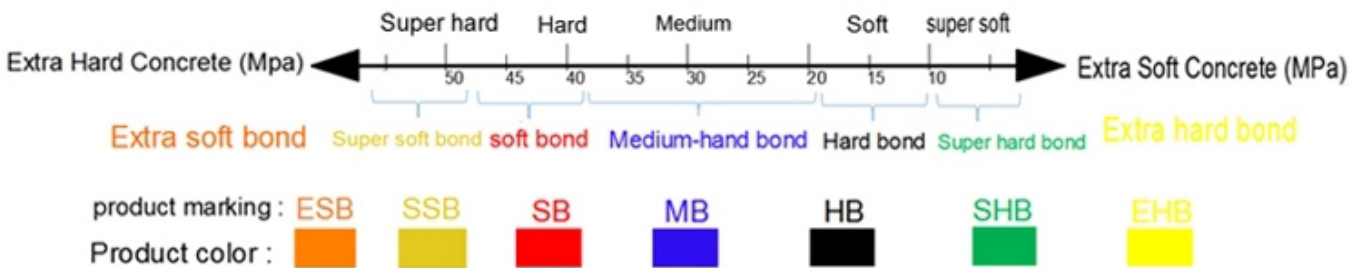
STI :

1. STI
2. STI
3. STI
4. STI
5. STI
6. STI

STI

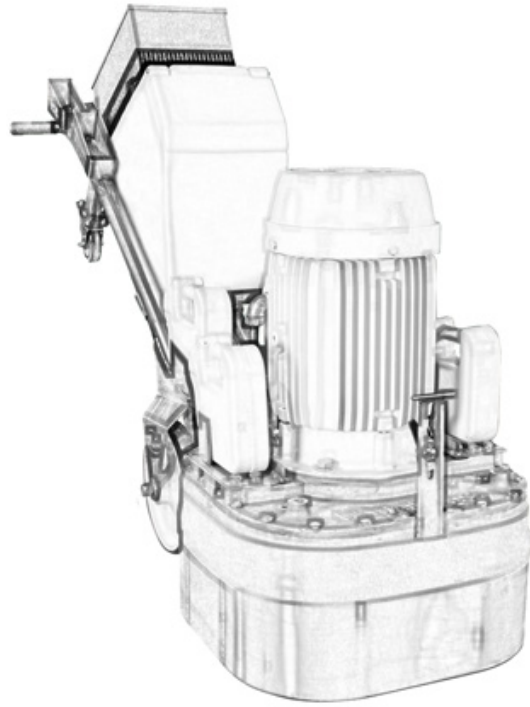
STI: 6 #, 16 / 18 #, 20 / 25 #, 30 / 40 #, 50 / 60 #, 70 / 80 #, 80 / 100 #, 120 / 150 #, 200 / 220 #, 325 / 400 #

STI:



STI :

STI terrazzo stone



□□ □ □□ :

□□:

1. □□ □□□□ □□□□ □□
2. □□ / □□ □□ □□, □□ / □□ □□
3. 3.45kg □□, □□□□□□ □□ □□ (Door to Door)
4. □□□□ □□ □ □ □□ □□□□ □□□□□□.



- For sample or small orders, products could be sent by express, TNT, DHL, UPS, FedEx, EMS etc.
- For large orders, shipping by sea or air is recommended. By our long-term cooperate agent or your appointed forward.
- By sea, port of loading: Shanghai, Ningbo, Xiamen, Qingdao etc.



□□ □□:

DHL, UPS, FedEx, TNT, EMS 均可

Exwork, FOB, CNF, CIF 均可

：

：



1. MOQ : 可

2. OEM : 可

3. Good Service : 可

4. Good Quality : 可

