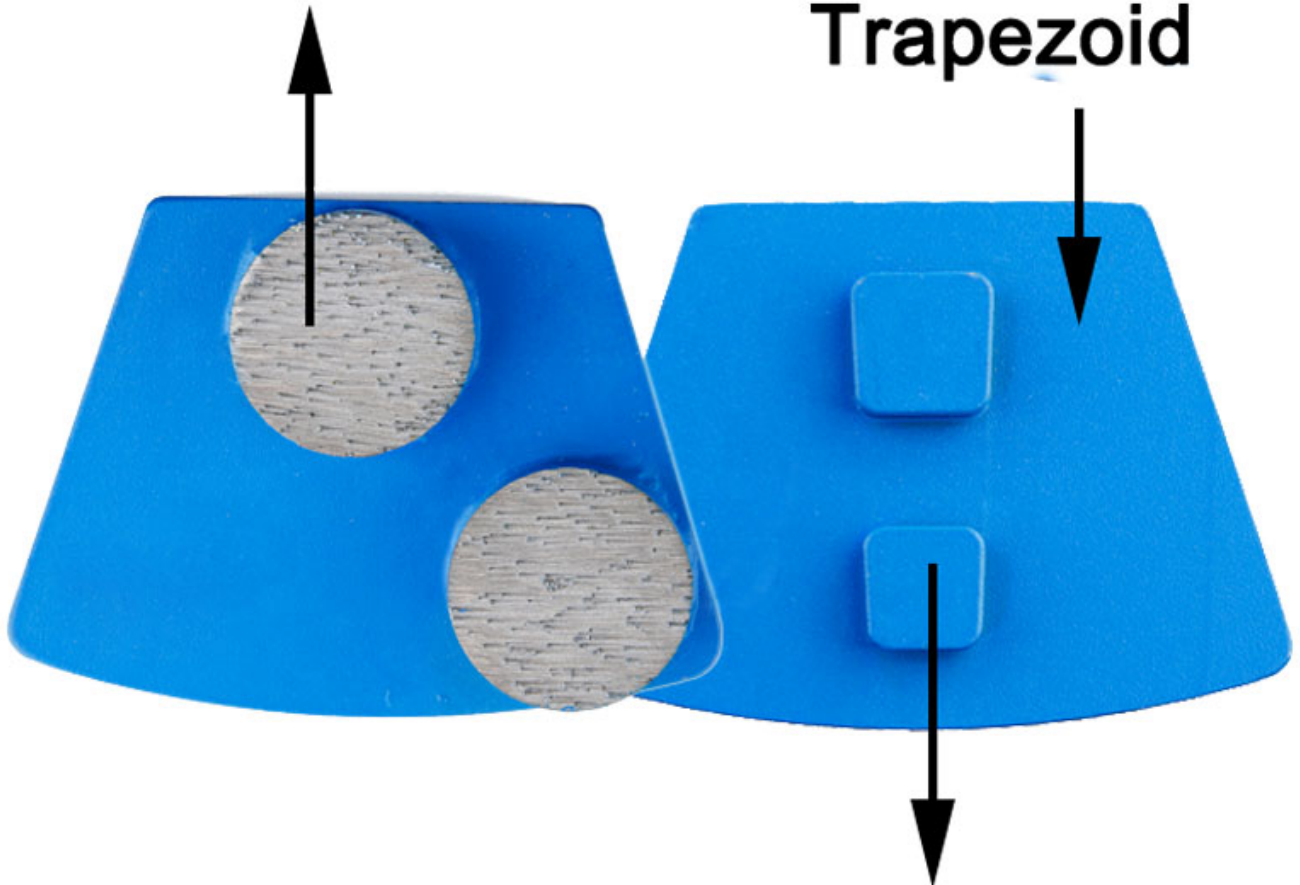


Diamond Round Head

Trapezoid



Connection Plate Connector

2

2

2

0000000000000000

00000000	000	00000000	000	00
----------	-----	----------	-----	----

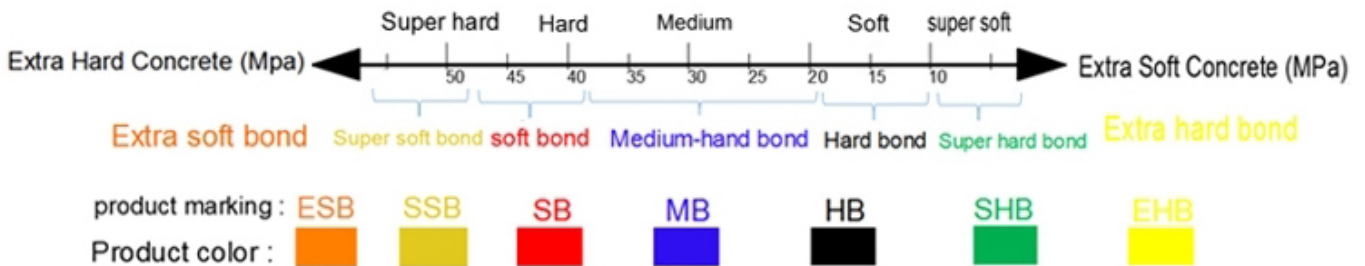
10mm-12mm	6-400	STI
-----------	-------	-----

STI

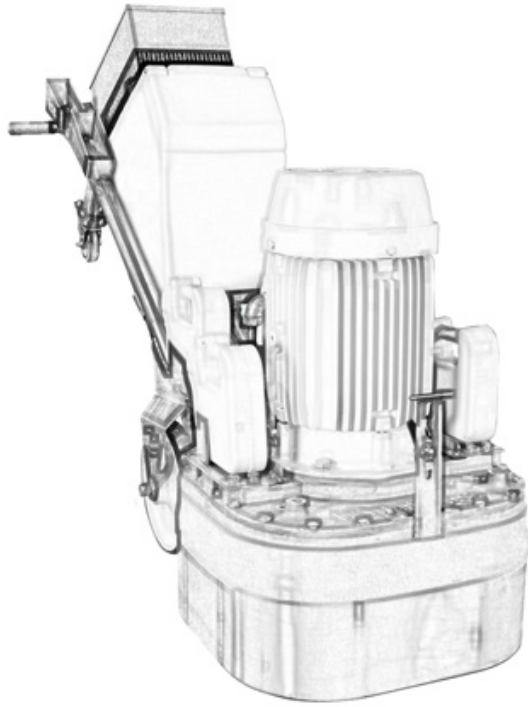
1. STI
2. STI
3. STI
4. STI
5. STI
6. STI

Two STI 2

STI



2. STI



□□□□□□

PS

1. □□□□□□□□□□□□□□
2. □□□□□□□□□□/□□□□□/□□□□□□□□
3. 45kg □□□□□□□□□□□□□□□□□□□□
4. □□□□□□□□□□□□□□□□□□□□□□□□□□□□



- For sample or small orders, products could be sent by express, TNT, DHL, UPS, FedEx, EMS etc.
- For large orders, shipping by sea or air is recommended. By our long-term cooperate agent or your appointed forward.
- By sea, port of loading: Shanghai, Ningbo, Xiamen, Qingdao etc.



□□□□□□□□

DHL UPS FedEx TNT EMS

Exwork FOB CNF CIF

□□□□□□□□

□□□□□□□□□□□□□□□□□□



1. MOQ

2. OEM

3.

4. 0000000000000000000000000000000000

5. 0000000000000000000000000000000000

00000000

1.1 0000000000000000000000000000000000
0000000000000000000000000000000000
0000000000000000000000000000000000
0000000000000000000000000000000000
8 0000000000000000000000000000000000
000000

2.2 0000000000000000000000000000000000
0000000000000000000000000000000000
0000000000000000000000000000000000
0000000000000000000000000000000000
0000000000000000000000000000000000


3.3 0000000000000000000000000000000000
0000000000000000000000000000000000
0000000000000000000000000000000000
0000000000000000000000000000000000
0000000000000000000000000000000000

00000000

- 1. 0000000000000000000000000000000000
- 2. 0000000000000000000000000000000000
- 3. 0000000000000000000000000000000000

00000000

Fujian Nanan *boreway* Machinery Co.,Ltd.

 No.605 Huahui Center Shuitou Town 362342 Quanzhou Fujian China

 **TEL** ☎ +86 595-86990206 /  ☎ +86 595-86990220

 ☎ / **WhatsApp / Wechat** ☎ + 86 18650679939

 **E** ✉ boreway@boreway.com

 ☎