



☐☐ **fast cutting saw blade segment**, you can get the effect of fast cutting and reduce the error rate of cutting.

Various specifications of diamond blade cutting segment are suitable for cutting saw blades from 250mm to 3500mm.diamond sandstone cutting segment. Strictly control the quality and provide you with diamond saw blade heads for sharp cutting.flat shape diamond segment for cutting.

The sharpness of the cutter head can help you smooth and cut the stone waste, evenly cut the waste, and turn it into a large board that can be used without wasting materials.



- 1.A wet-cut circular saw offers the best option for cutting granite tile by producing less dust during cutting.
- 2.We are professional diamond stone cutting segment supplier, we have rich research and achievement in marble granite and other hard stone cutting.
- 3.The product has been tested for many times, and the sharpness has been continuously improved to improve the cutting speed of processing for you.
4. The surface of the wet useddiamond cutting segment for factory,it is polished, it is not easy to increase the difficulty of welding, and it is easy to install.



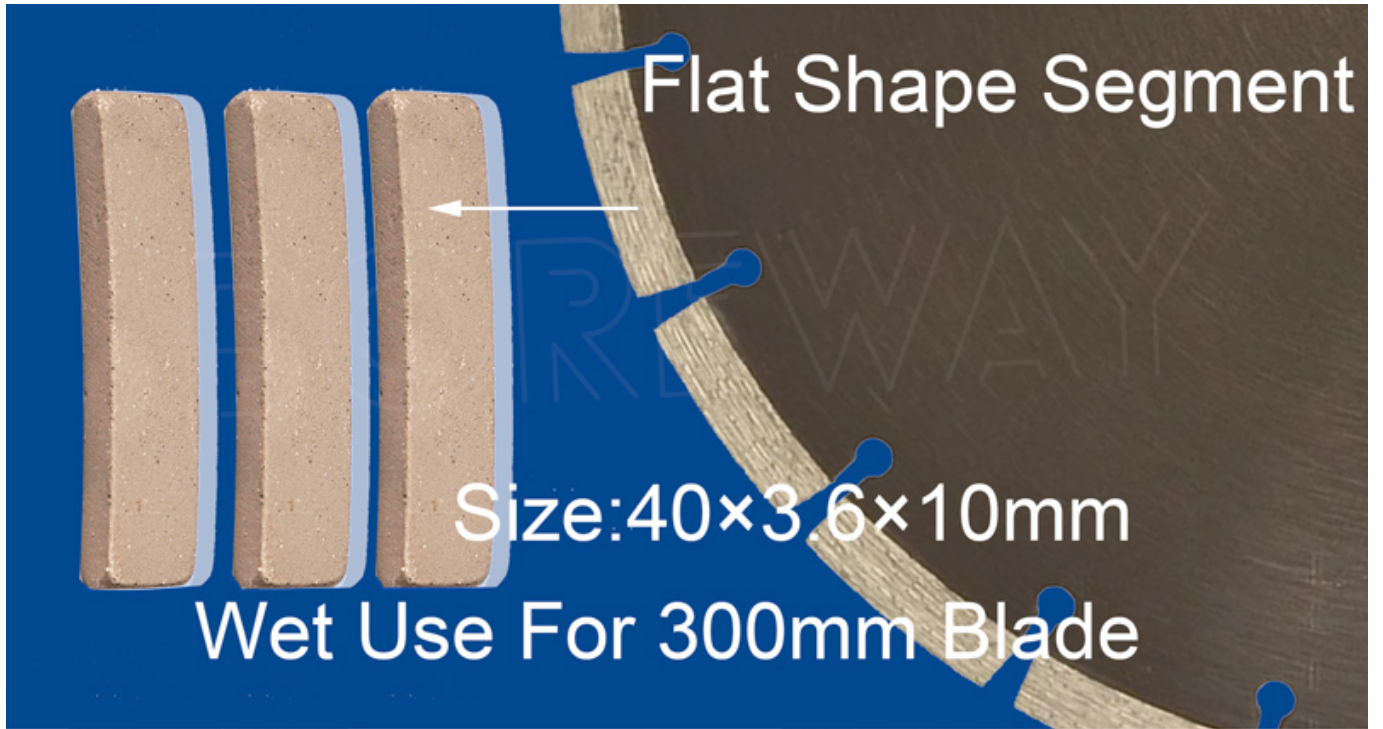
The Following Are Normal Specifications **Fast Cutting Saw Blade Segment** :

Blade Diameter	Segment Size	Core Thickness	Segment Number
12 Inch 300mm	40×3.6×10	2.2/2.0	21 Pcs

The above specifications is only for reference, other specifications may be available as per customer's demand.

## Product show

### 300mm Fast Cutting Diamond Saw Blade Segment For Cutting Stone Slab





□□ frequency welding of diamond cutter head on saw blade substrate,saw blade use for bridge cutting machine,desktop cutting machine.use for granite stone.





### **1. How to guarantee the quality of the product?**

The company's products have standards, safety guarantees to control product quality, responsible for product quality for our customers, Established for more than ten years, as a professional and experienced diamond manufacturer, Boreway insists on providing our customers with the highest quality diamond tools .

### **2. Are you professional**

All of our company's products are diamond tools or related machinery products. They are highly professional and have maintained their pre-industry level. We are more professional and can help you find the ideal ideal for your market (dealer) or project (end user). Diamond tools.

### **3. What are our advantages?**

Our teams is professional and the members have good study of the diamond tools. We offer quick response. Each messege or email will be replied within 24 hours.In the past few decades, Boreway diamond tools has made many orders of the OEM/ODM successfully . Some of the OEM/ODM services are free of charge!





## Fujian Nanan *boreway* Machinery Co.,Ltd.



No.605 Huahui Center, Shuitou Town 362342 Quanzhou, Fujian, China



**TEL:** (+86)595-86990206 /   (+86)595-86990220



**Mobile/ WhatsApp /Wechat:** (+ 86) 18650679939



**E**  [boreway@boreway.com](mailto:boreway@boreway.com)



**Lyon Chang**