

□□□□□□□□ □□□□□□□□□□□□

Our factory use original high grade diamond



Other factory mix second diamond selected from waste segment

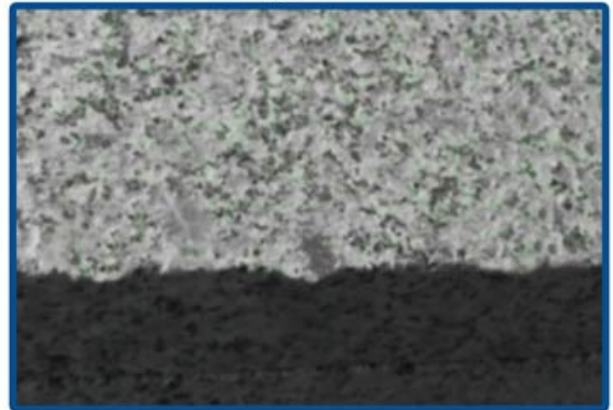


pk

Our blade cutting effect



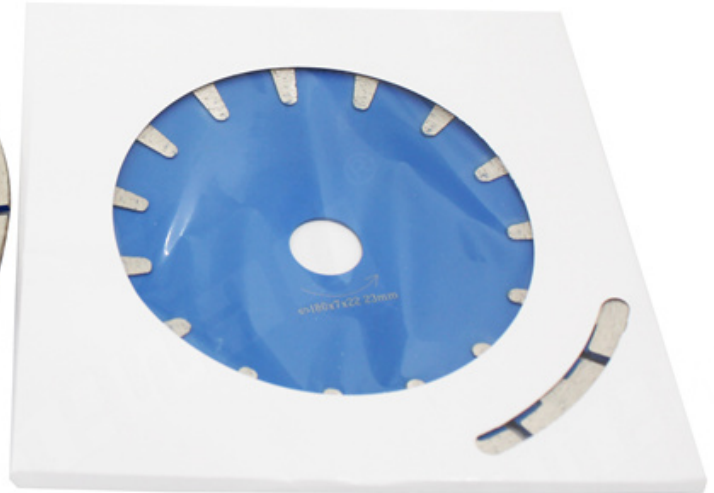
Other supplier blade cutting effect



pk

boreway[®]





□□□

□□□□□□□□□□

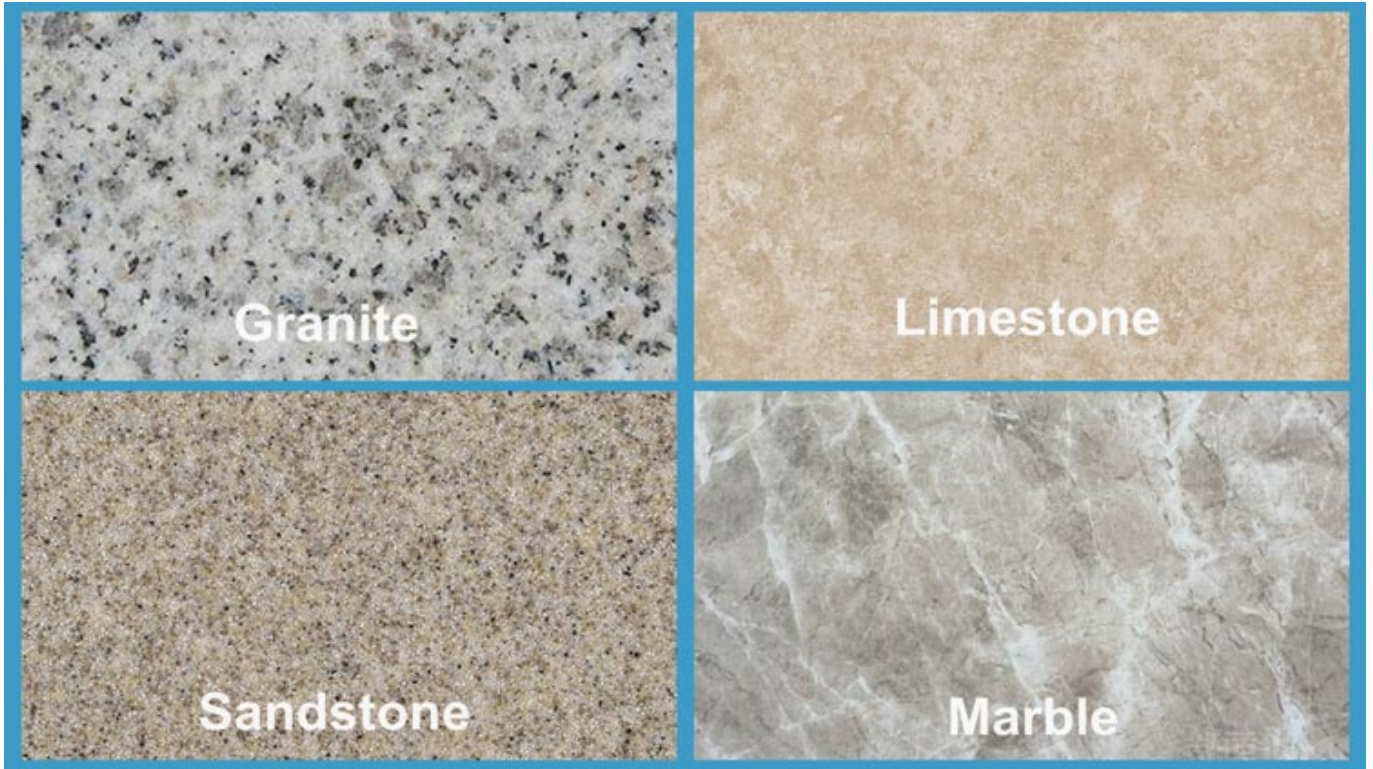
1. □□□□□□□□□□

2. □□□□□□□□□□□□□□□□

3. □□□□□□□□□□□□□□□□□□

4. □□□□□□□□□□□□□□□□





□□□□□□□□□□

□□□□□□□□

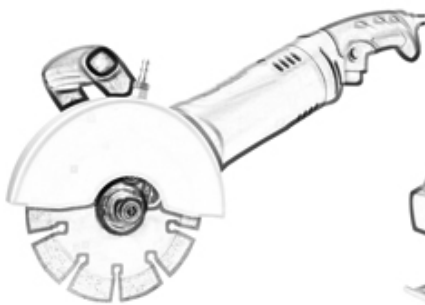
a□□□□□□□□□□

b□□□□□□□□

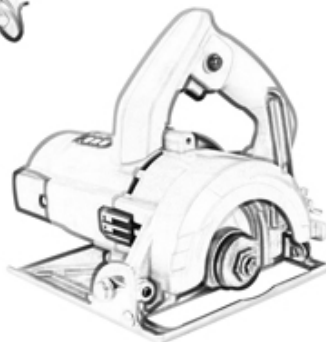
c□□□□□□□□□□

d□□□□□□□□□□

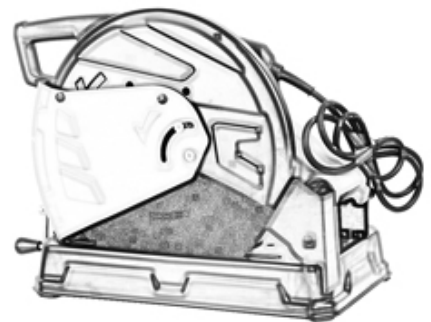
e□□□□□□□□□□□□□□



Angle Grinders Machine



Manual Cutting Machine



□□□□□□□□□□□□□□ □□□□□□□□□□□□□□□□□□□□

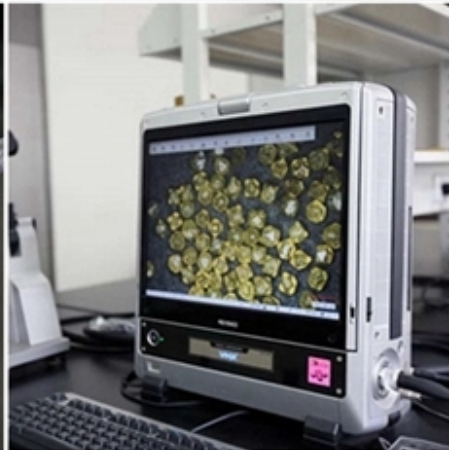
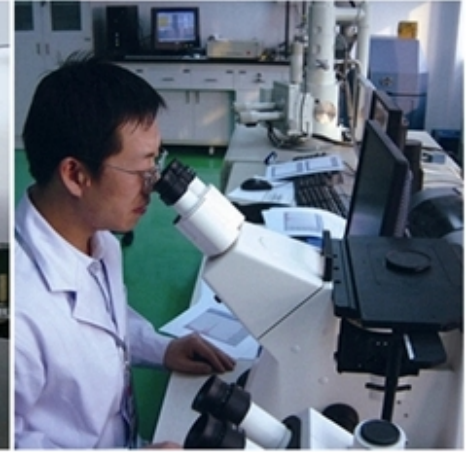


Boreway Machinery Co.,Ltd
www.fordiamondtools.com
www.diamondtools.top

1200 mm



Boreway Machinery Co.,Ltd
www.fordiamondtools.com
www.diamondtools.top





□□&□□□

PS□

1.□□□□□□□□□□□□□□□□

□□□□□□2.Air / Sea□□□□□□/□□□□□□

3.45kg□□□□□□□□□□□□□□□□□□□□□□

4.□□□□□□□□□□□□□□□□□□□□□□

