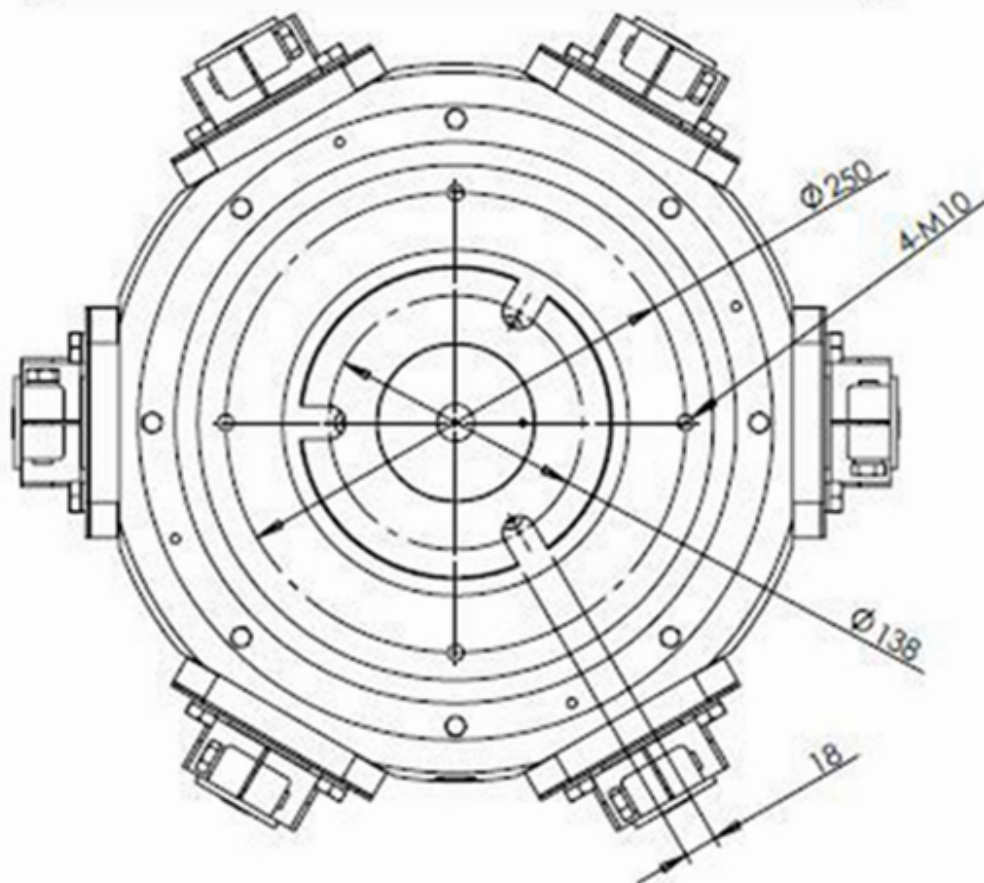
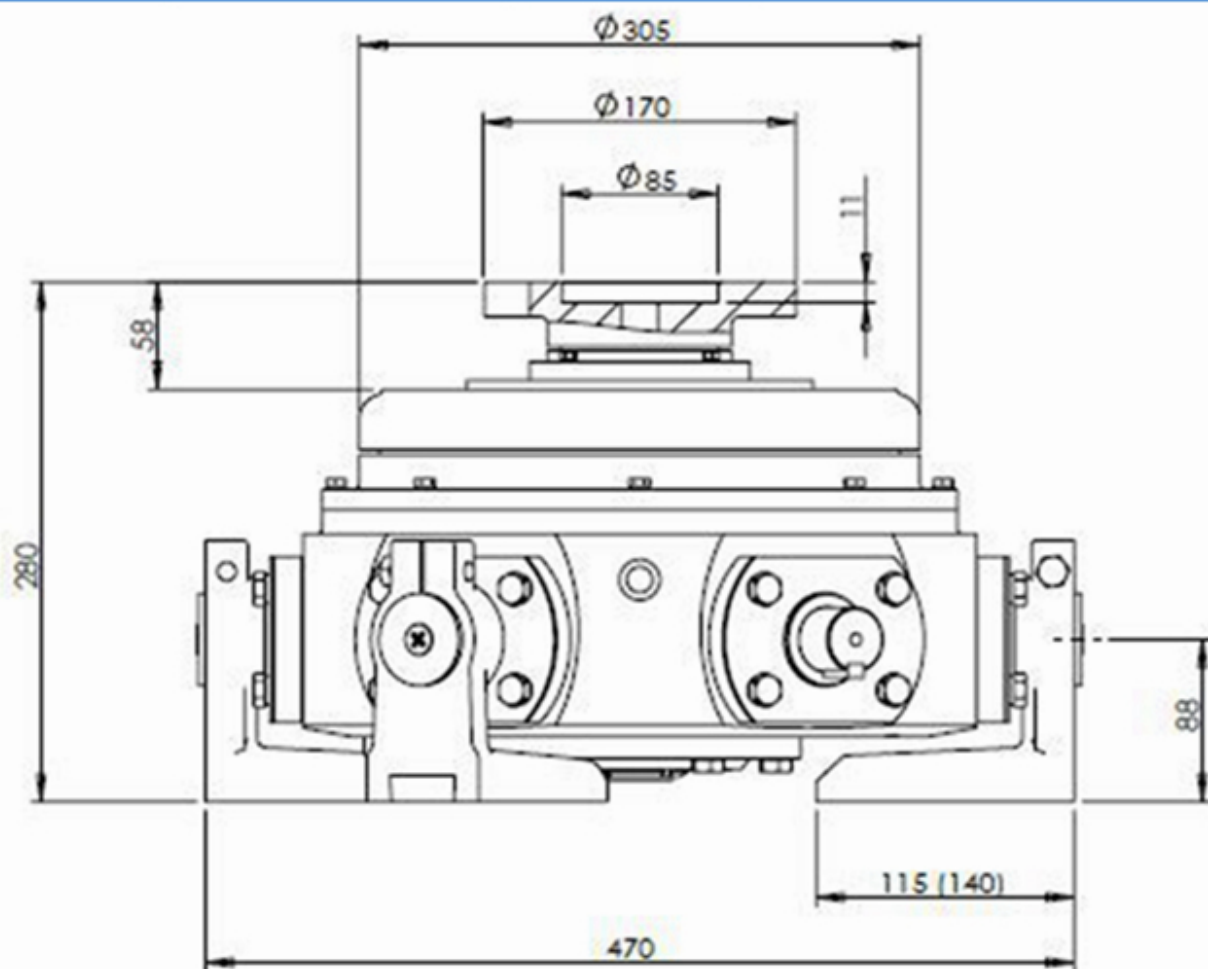


boneway® Polishing heads parameter









□□□□&□□□



□□□□□□□□









第 9135152 号



商标注册证



核定使用商品(第7类)

陶瓷工业用机器设备(包括建筑用陶瓷机械); 雕刻机; 石材切割机; 磨石(机器部件); 高压清洗机; 电焊枪(机器); 电动清洁机械和设备; 压力机; 切割工具(包括机械刀片); 抛光机器和设备(电动的)(截止)


注册人 福建省南安博威机械有限公司

注册地址 福建省南安市水头镇鸿星街

注册有效期限 自公元 2012年02月28日 至 2022年02月27日

局长签发 许瑞表





CREDIT CHECKED

by ALIBABA FINANCIAL

This supplier has been Credit Checked by Alibaba Financial:

Lei Zhang from Fujian Nanan Boreway Machinery Co., Limited

The credit check validity period: 2015-10-19 to 2016-10-18

This company has passed a financial assessment (including a credit check) conducted by Alibaba Financial. The scope of Alibaba's financial assessment of suppliers includes, but is not limited to: People's Bank credit archives, business data, Alibaba network behavioral data, corporate and personal balance sheets, court enforcement records.

Please note: Alibaba Financial provides credit check to online merchants but shall not be a party or bear any responsibility in case of any dispute thereof.

About Alibaba Financial

Alibaba Financial aims to serve online businesses by providing comprehensive and professional financial services. By utilizing field investigation, third-party data and online behavior data, we are able to provide credit investigations and loans to enterprises on our platforms, such as alibaba.com, taobao.com and tmall.com. We also offer insurance and E-commerce platform financial services. Alibaba Financial devotes itself to enabling online businesses by making credit available to drive wealth creation. Alibaba Financial is the first choice for online financial services.





Trade Assurance



微信支付

PayPal™

□□□□□□

Fujian Nanan *boreway* Machinery Co.,Ltd.



Chois Dong



boreway05@boreway.net



+86-18120033767



Chois Dong



+86-18120033767



+86-595-86990220



+86-18120033767



+86-595-86990206



<http://www.diamondtools.top>

www.boreway.com



Huahui Center 605, Shuitou Town, Quanzhou, Fujian, China