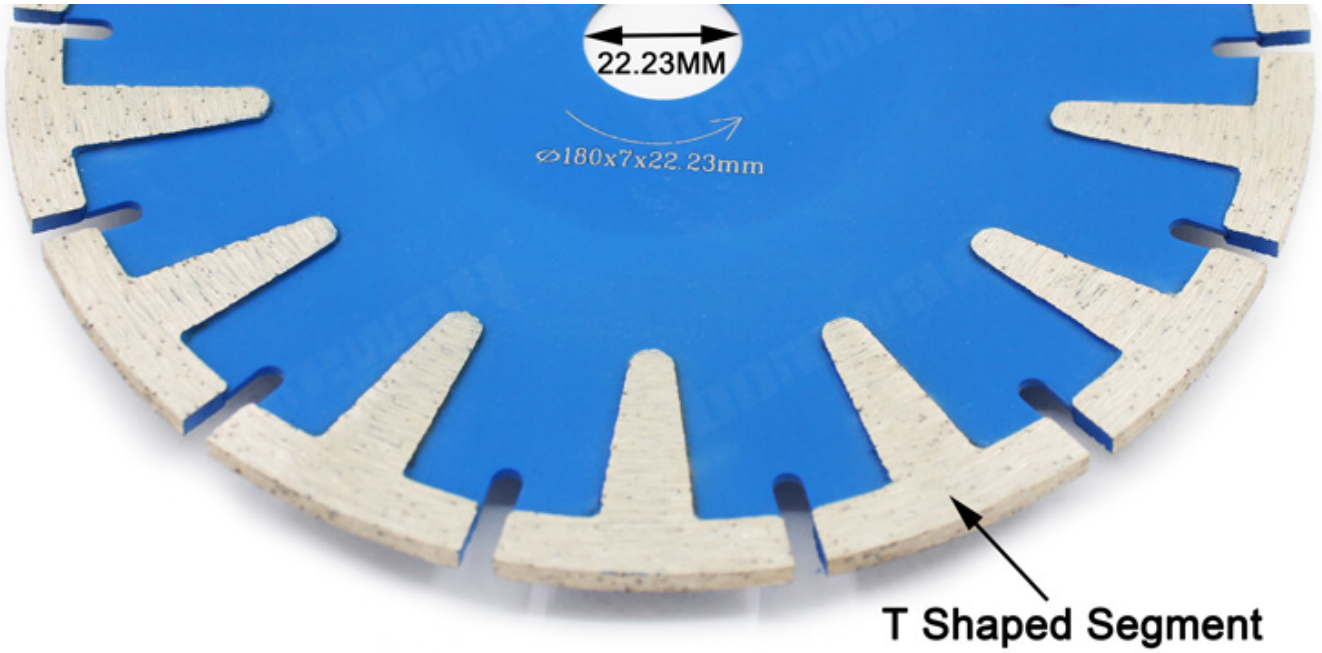


boreway®



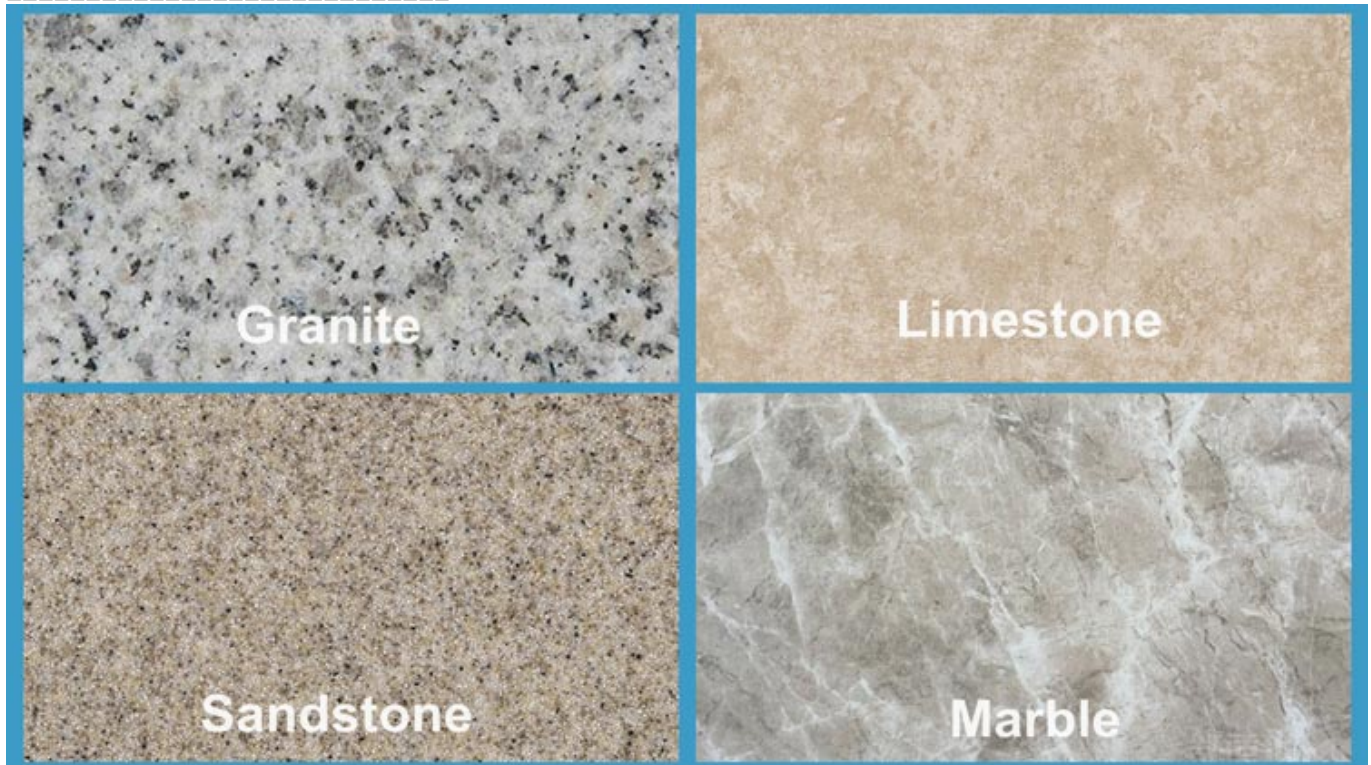


□□□□□□□□

T-shaped segments are used in circular saw blades for cutting various materials. The segments are arranged in a circular pattern around the blade's periphery.

The segments are typically made of a hard, wear-resistant material like carbide or diamond to ensure a long cutting life.

The segments are held in place by a metal core or backing.



□□□□□□□□□□

T-shaped segments are used in circular saw blades for cutting various materials.

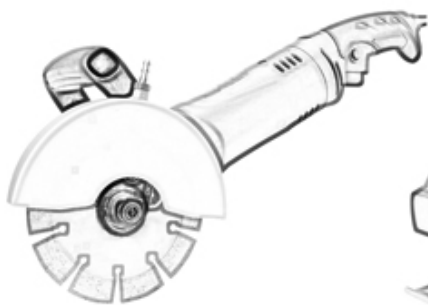
a

b

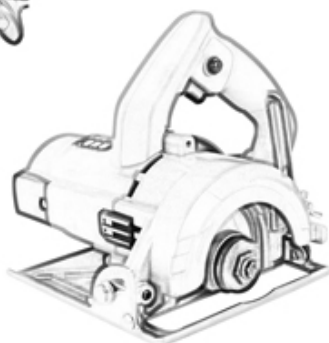
c

d

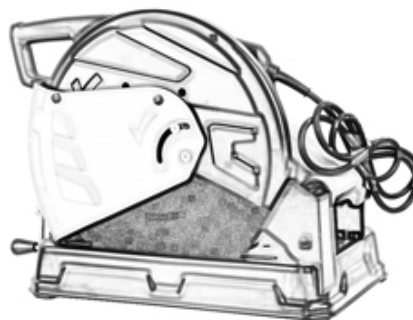
e



Angle Grinders Machine



Manual Cutting Machine



T



□□□□□□

1. □□□□□□□□□□□□□□□□□□□□□□□□
□□□□□□□□□□□□□□□□□□□□□□□□□□
□□□□□□□□□□□□□□□□□□□□□□□□

2. □□□□□□□□□□□□□□□□□□□□□□□□□□

3. □□
□□□

4. □□□□□□□□□□□□□□□□

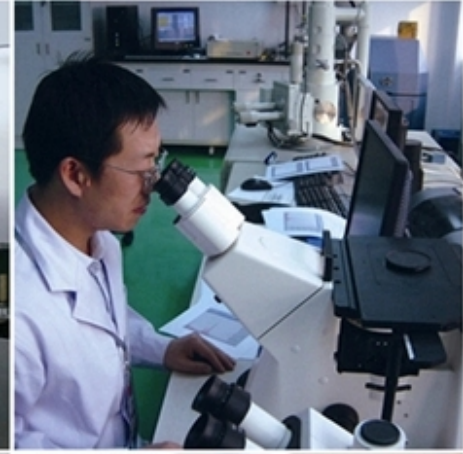
□□□□□□



Boreway Machinery Co.,Ltd
www.diamondtools.top
www.boreway.net



Boreway Machinery Co.,Ltd
www.fordiamondtools.com
www.diamondtools.top





□□&□□□

PS□

1.□□□□□□□□□□□□□□□□

□□□□□□2.Air / Sea□□□□□□/□□□□□□

3.45kg□□□□□□□□□□□□□□□□□□□□

4.□□□□□□□□□□□□□□□□□□□□□□



QUESTION

1. Identify the mode of transport used by DHL for its express delivery service.
2. Explain the role of a container ship in international trade.
3. Discuss the advantages of OEM (Original Equipment Manufacturer) logistics for a manufacturer.
4. Compare the cost and speed of air transport versus sea transport.
5. Describe the benefits of using a delivery van for local last-mile delivery.

ANSWER

1. DHL primarily uses air transport for its express delivery service due to its speed and reliability.
2. Container ships are essential for international trade as they efficiently transport large quantities of goods in standardized containers across the globe.
3. OEM logistics offers manufacturers the advantage of direct control over their supply chain, ensuring timely delivery and quality control.
4. Air transport is significantly faster but also much more expensive than sea transport, which is slower but more cost-effective for large volumes.
5. Delivery vans are ideal for local last-mile delivery due to their maneuverability and ability to access narrow streets.

