



□□□□□□□□ □□□□□□ □□□□□□□□ □□□□	BCW0504	4 "/ 105	6 * 20	16/22.23	24.
	BCW0505	5 "/ 125	6 * 20	16/22.23	26.
	BCW0506	6 "/ 150.	6.5 * 20	16/22.23	28
	BCW0507	7 "/ 180	6.5 * 20	16/22.23	30.

□□□□□□□□□□□□□□□□

□□□□□

□□□□□□□□□□□□□□□□□□□□

# M14 Aluminum Based Diamond Grinding Wheel

Higher efficient

Lower noise



M14 Thread



7mm Thickness



#30  
Coarse

#50  
Medium

#100  
Fine

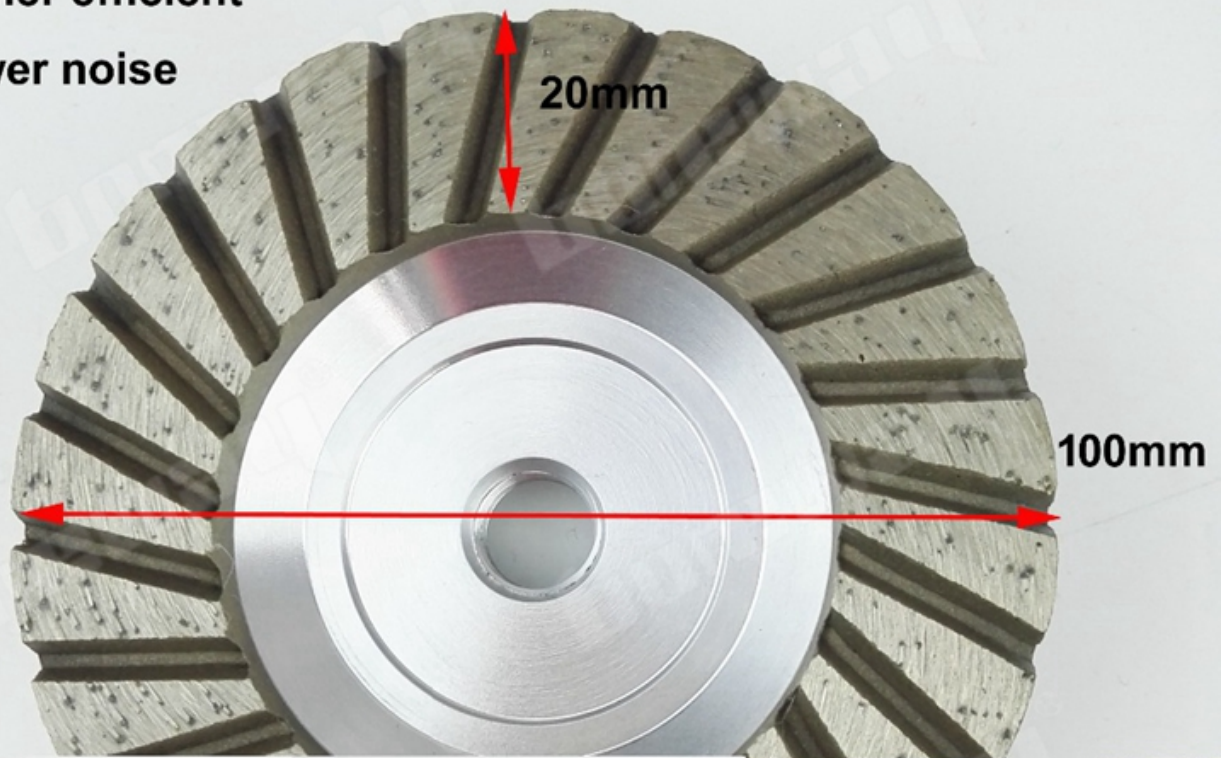




# M14 Aluminum Based Diamond Grinding Wheel

Higher efficient

Lower noise



M14 Thread



7mm Thickness



#30  
Coarse

#120  
Fine



**#30**



**#50**

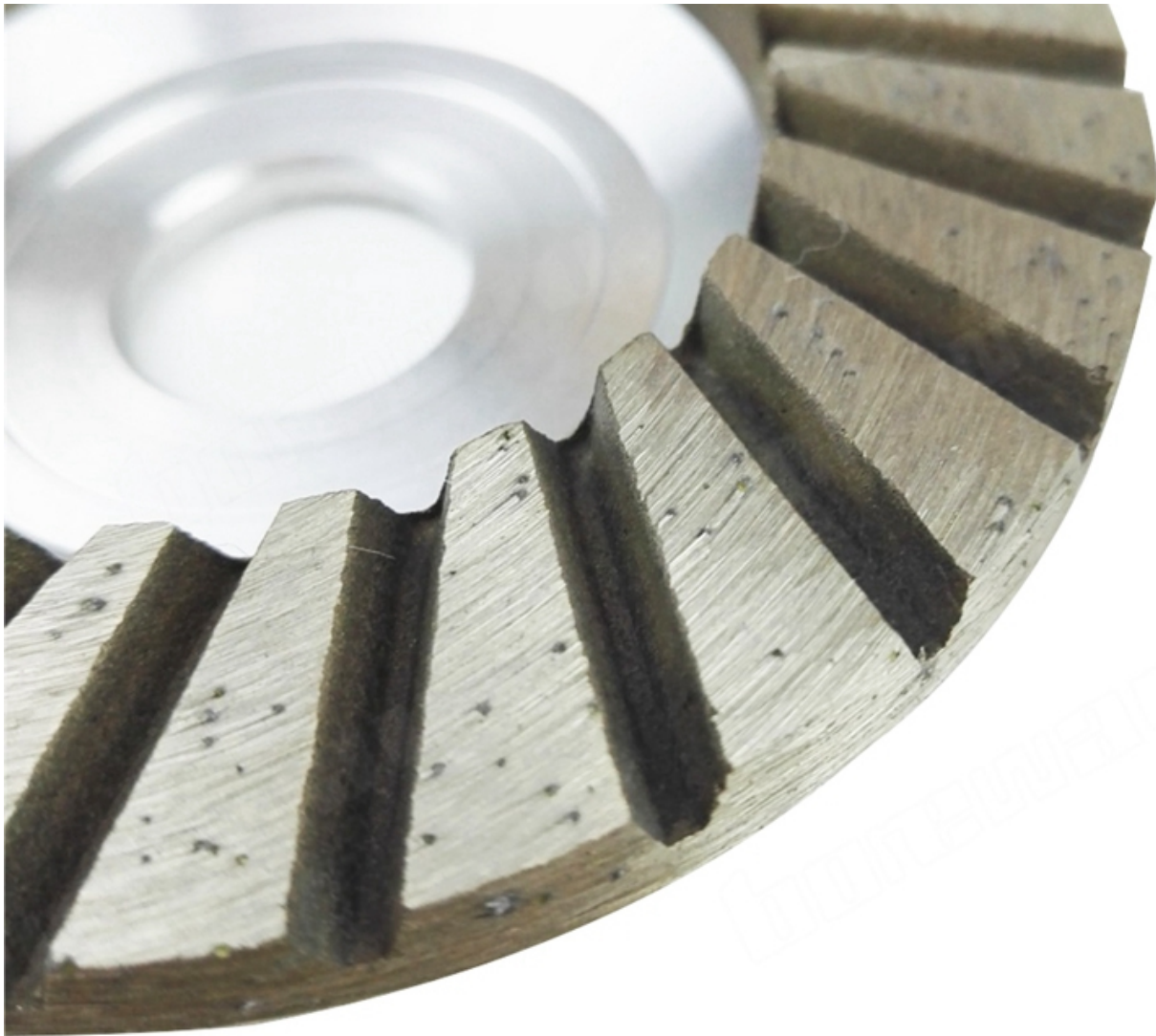


**#100**









□□□□□□□□

Diameter		Connection	Segment size	Grits
4 inch	100mm	Bore 22.23mm (7/8inch) with reducer washer 16mm	7mm thickness	30
4 inch	100mm	Bore 22.23mm (7/8inch) with reducer washer 16mm	7mm thickness	120
4 inch	100mm	M14 Thread	7mm thickness	30
4 inch	100mm	M14 Thread	7mm thickness	120







5. 4

□□□□



Boreway Machinery Co., Ltd  
www.diamondtools.top  
www.boreway.net

□□□□□□□□



Boreway Machinery Co., Ltd  
www.diamondtools.top  
www.boreway.com

□□□□□□□□□□

□□□□□□□□





