

Hot Pressed Turbo Rim Marble Granite Diamond Circular Porcelain Marble Granite Concrete Cutting Blade Disc

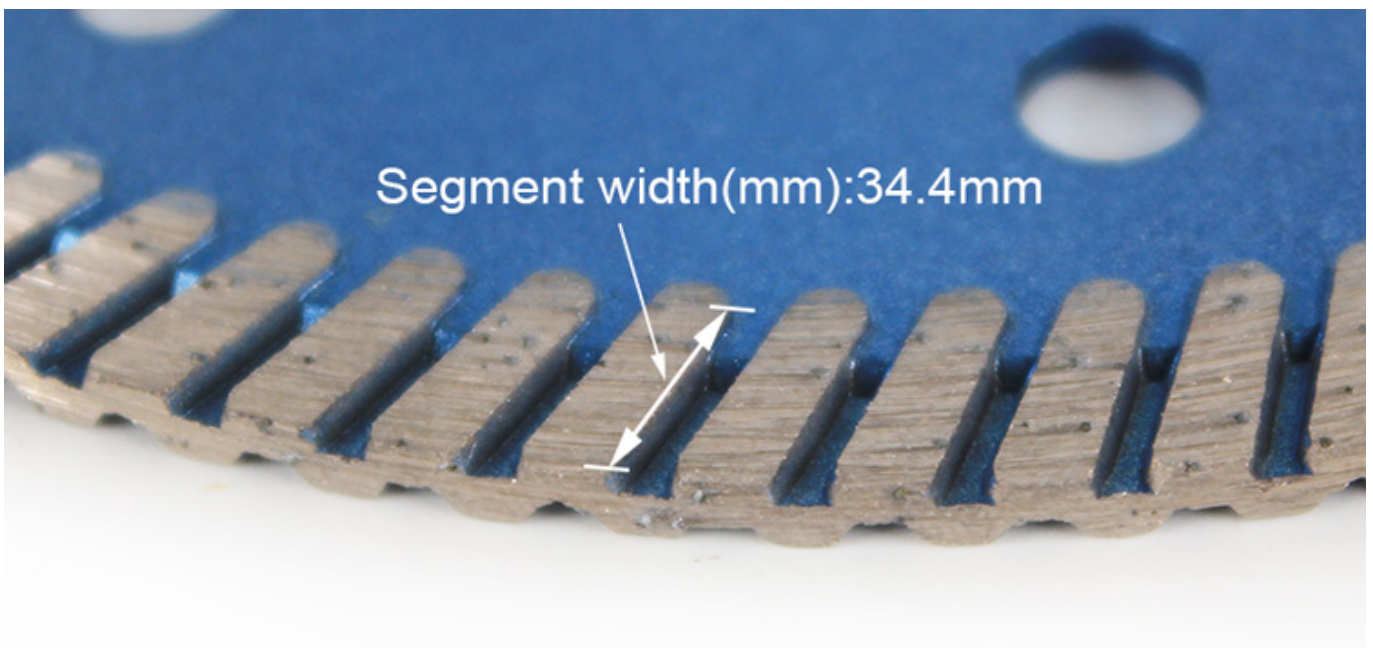
Advantage:

Factory=Quality Control=Competitive Price=Own technology=OEM

1.Cutting method:Wet cutting,Dry cutting.

2.Fast cutting & long life,Stable performance.

3.**Circular Porcelain Concrete Cutting Blade** can reduce cutting friction a lot, improve slab flatness, save energy.





Description:

Circular Porcelain Concrete Cutting Blade is a particularly stable and mature diamond saw blade, especially suitable for cutting ceramics, porcelain, vitrified tiles, granite, stoneware, hard tiles and other stone.

Segment Thickness:	2.6mm
Segment Width:	34.4mm
Size:	230m,9inch
Production Process:	Cold Pressed
Segment Height:	8/10/12mm
Bore Size:	16/20mm,22.23mm,25.4mm,50mm
Application:	Stone, Concrete, Ceramic, Porcelain, Tile, Masonry
Machinery:	Angle Grinder,Circular Saw,Table Saw, Etc.

Feature:

Circular Porcelain Concrete Cutting Blade

1, Hot-pressed sintered blades provide long working lifements which can cutting multi materials

2, Ultra-thin(1. 2mm at cutting edge) for fast cutting andow wasteHard material, granite marble tile ceramic brick ect

The above specifications is only for reference, other specifications may be available as per customer's demand.

Attention when use:

1. Before saw blade installed, pollutions adhering between saw blade and flange shall be removed,
when installing saw blade, the marked direction shall be kept consistent with the rotating direction of electric tools, and flange shall be fastened by spanner attached to electric tools.
2. Do not use any saw blade that has been deformed for being pressed of crashed.
3. When operating, operator must wear safety helmet, safety footwear and goggles, protective glove, additionally, if necessary operator must use earplug, mask and so on
4. Electric tools shall have protective cover.

Our factory use original high grade diamond



Other factory mix second diamond selected from waste segment

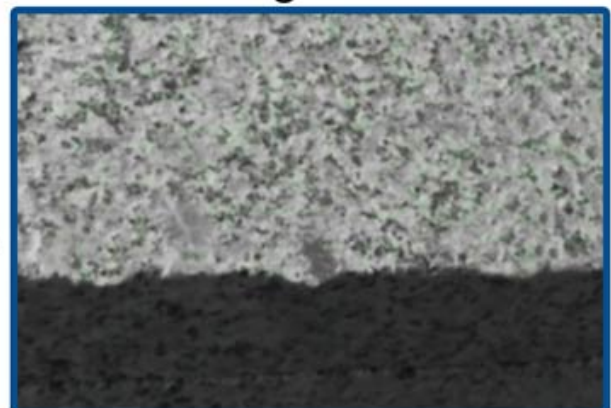


pk

Our blade cutting effect



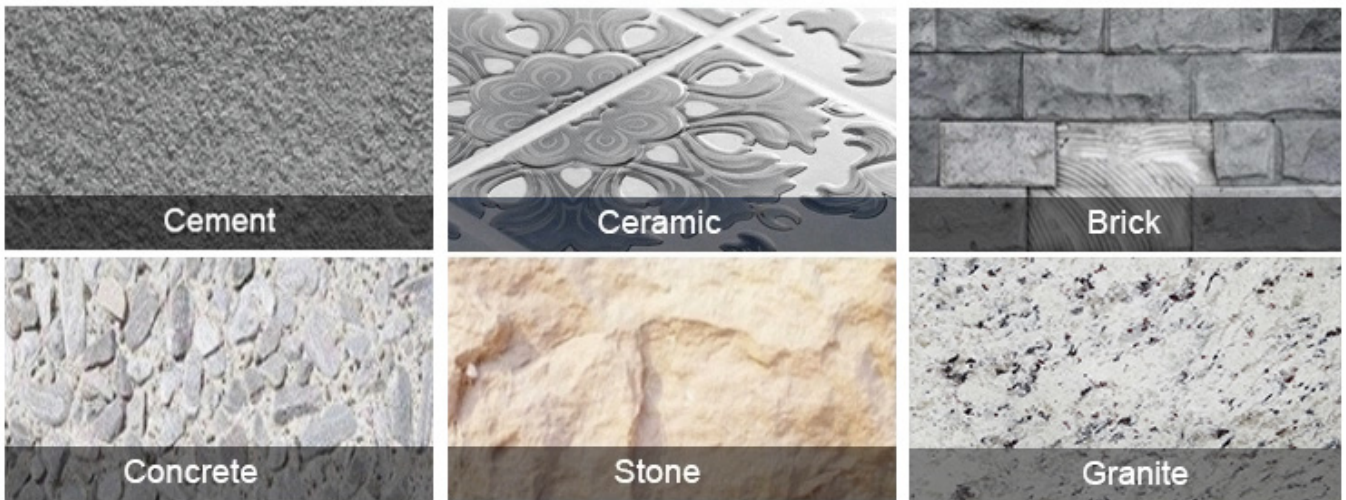
Other supplier blade cutting effect



pk

Applications:

Circular Porcelain Concrete Cutting Blade is suitable for kinds of granite,stone, limestone, sandstone,basalt ,natural stone lava stone etc.



Applications Machine:

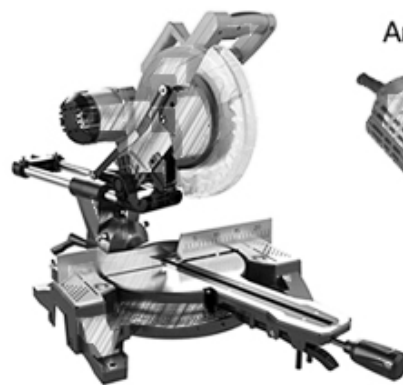
Hot Sintered, Dry or Wet Use!

Circular Porcelain Concrete Cutting Blade use for angle grinder,circular saw,masonry saw,table saw

Electric circular saw



Angle Grinder



Multi-function cutting machine



Road cutting machine



Related Products:



Boreway Machinery Co., Ltd
www.fordiamondtools.com
www.diamondtools.top

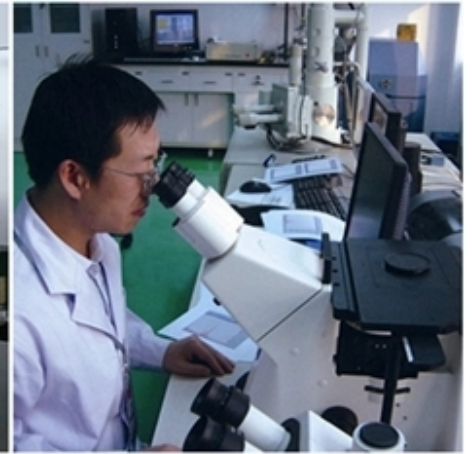
[300mm Only Wet Use Marble Block Cutting Segment](#)



Boreway Machinery Co., Ltd
www.fordiamondtools.com
www.diamondtools.top

[300mm Stable Quality W Shape](#)

About us:





Packing □ Delivery:

PS:

- 1.Tools packing in carton cases
- 2.By Air/Sea for batch goods, Airport/Port receiving
- 3.Less than 45kg, generally delivery by express(Door to Door)□
- 4.When tools are in large quantities, they are packing in wooden cases



Our service:

1. Low order quantity: It can meet the test order you need.
2. Fast delivery: We get great discounts from freight forwarders.
3. OEM Acceptable: We can produce according to your samples or drawings.
4. Good quality: We have a strict quality control system. Has a good reputation in the market.
5. Good service: We regard our customers as God with a high degree of professionalism and enthusiasm.

FAQ:

1. If we want to order your product, how do we know your quality?

You can test with a small order, and then you will know the quality. Nowadays, many people in the world use Chinese products because of their high quality and high cost performance. We are a professional diamond tool manufacturer with more than 8 years of manufacturing experience.

2. Can you provide samples for free?

We do not provide free samples. Based on years of experience, we believe that customers will want them because of their reliable quality. By purchasing samples, we will cherish and appreciate them and make them get more. We are ready to offer our potential customers a special discount on samples. It's very important that you give us feedback, and we will

appreciate it.

3. Does your company accept customization?

Of course, we accept customization. Including different colors, cutting objects, etc. We can also tag your own label and company brand. If you want us to make any new products for you, just send your products to us. Whether it's drawings or samples, we have the ability to produce the same products. We will not sell these products to others, only customers can get permission.

Please note:

Please use high frequency Silver Welded machine instead of Fire to make the brazing, the welding time is only a few seconds, otherwise the diamond inside the segments will probably be damaged by the high temperature, then the cutting performance will be Reduced!

Contact us:

Fujian Nanan **boreway** Machinery Co.,Ltd.



No.605 Huahui Center, Shuitou Town 362342 Quanzhou, Fujian, China



TEL: (+86)595-86990206 /  **Fax:** (+86)595-86990220



Mobile/WhatsApp/Wechat: (+ 86) 18650679939



E-mail: boreway@boreway.com



Lyon Chang