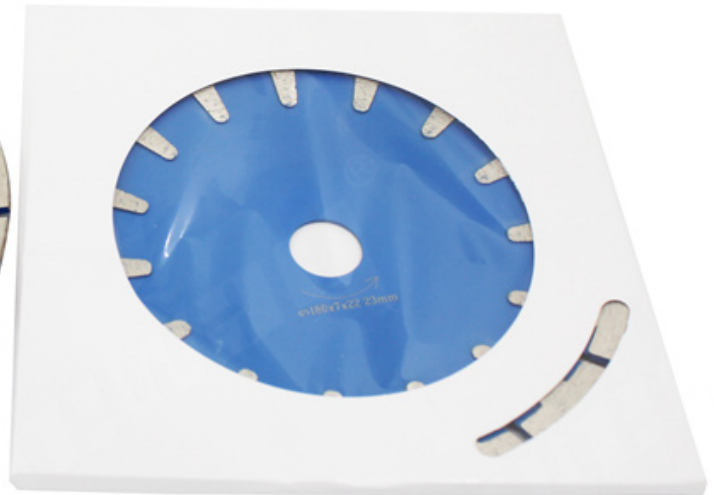


boreway[®]





□□□

□□□□□□ □ T□□□□□□□□□□□□□□

□□	□□□mm□	□□
105mm□4□□□	20□□/22.23□□	8□□
125□□□5□□□		
150□□□6□□□		
180□□□7□□□		

□□□□□□□□□□□□□□□□□□□□□□□□

Our factory use original high grade diamond



Other factory mix second diamond selected from waste segment

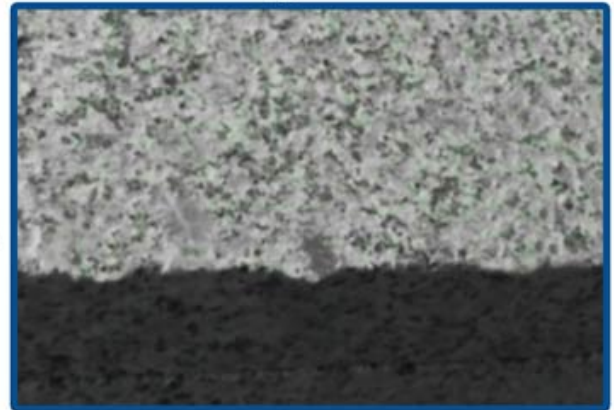


pk

Our blade cutting effect



Other supplier blade cutting effect



pk

□□□

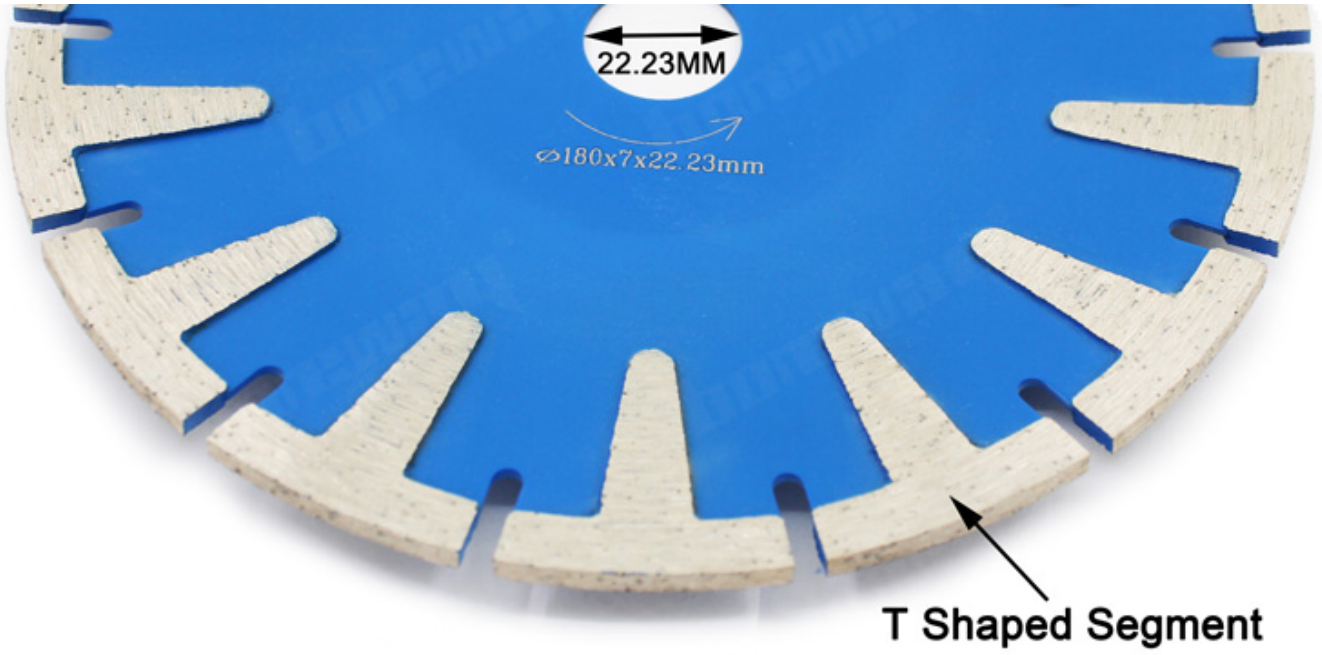
T□□□□□□□□□□

1.□□□□□□

2.□□□□□□□□

3.□□□□□□□□□□

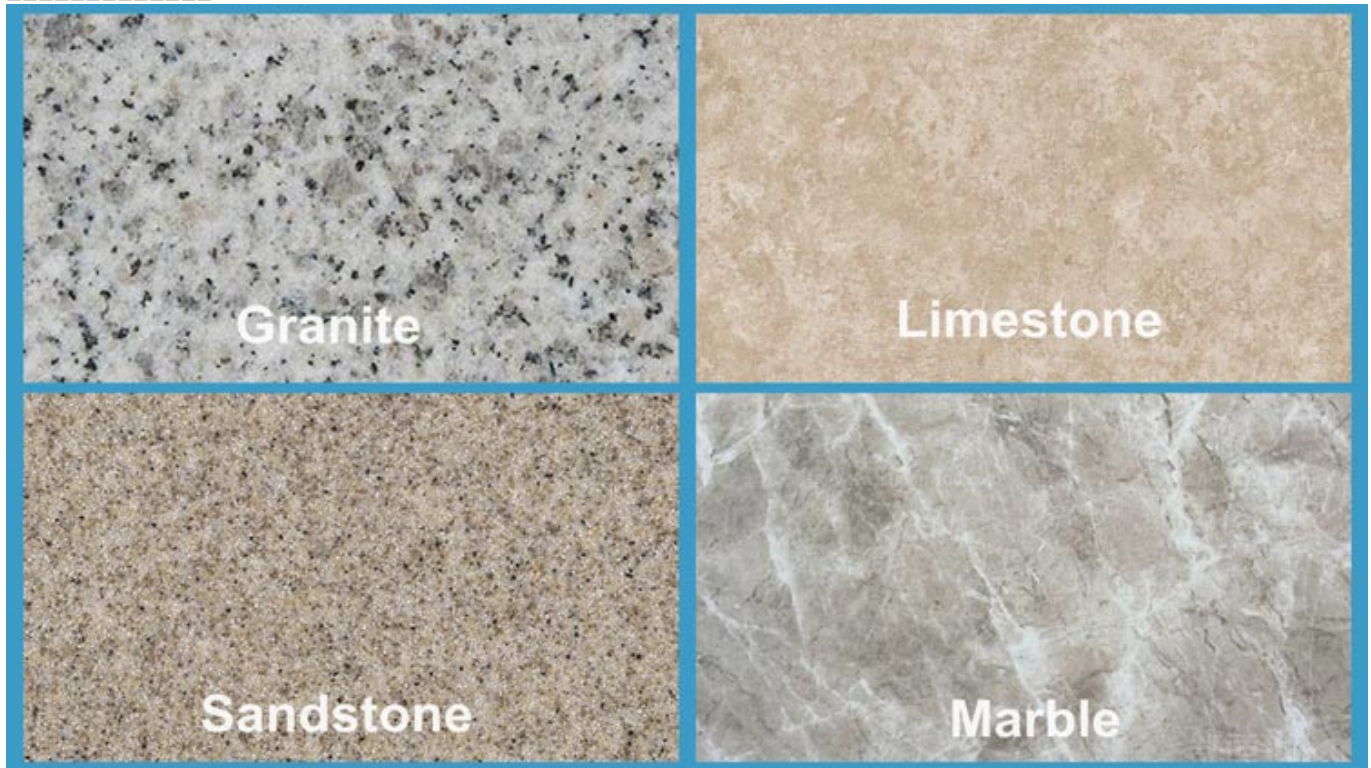
4.□□□□□□□□□□□□



T-shaped segments are used for cutting various types of natural stone.

The segments are designed to handle both hard and soft materials.

The following stones can be cut:



T-shaped segments are used for cutting various types of natural stone.

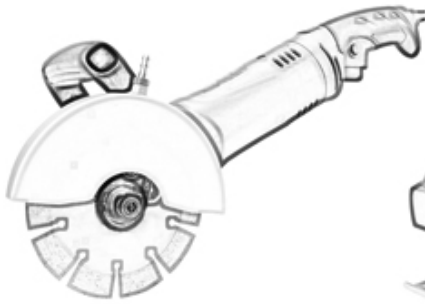
a

b

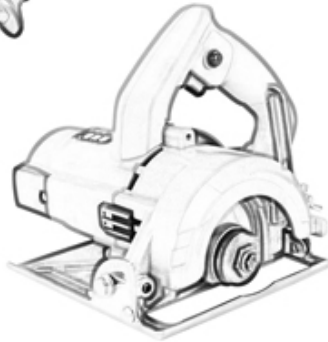
c

d

e



Angle Grinders Machine



Manual Cutting Machine

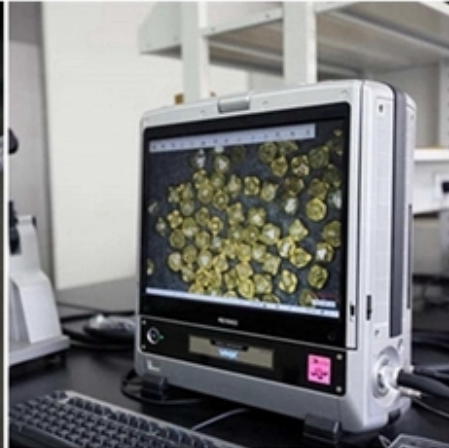
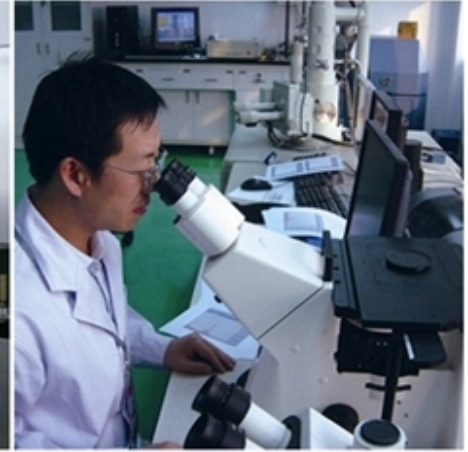
T



Boreway Machinery Co.,Ltd
www.diamondtools.top
www.boreway.net



Boreway Machinery Co.,Ltd
www.fordiamondtools.com
www.diamondtools.top





□□□□□□

PS□

1.□□□□□

2.□□□/□□□□□□□□□□□□/□□


3.□□45kg□□□□□□□□□□□□

4.□□□□□□□□□□□□□□


XX

XXXXXX

Fujian Nanan *boreway*® Machinery Co.,Ltd.

 XXXXXXXXXXXXXXXX605 362342

 XXX +86 595-86990206 /  XXX +86 595-86990220

 / **WhatsApp** / XXX + 86 18650679939