

□□□□ □□□□□ □□□ □□	BCW0504.	4"/ 105	6 * 20.	16/22.23	24.
	BCW0505.	5"/ 125	6 * 20.	16/22.23	26.
	BCW0506.	6"/ 150	6.5 * 20.	16/22.23	28.
	BCW0507.	7"/ 180	6.5 * 20.	16/22.23	30.

□□□□□□□□□□

□□□□□

□□□□□□□□□□

M14 Aluminum Based Diamond Grinding Wheel

Higher efficient

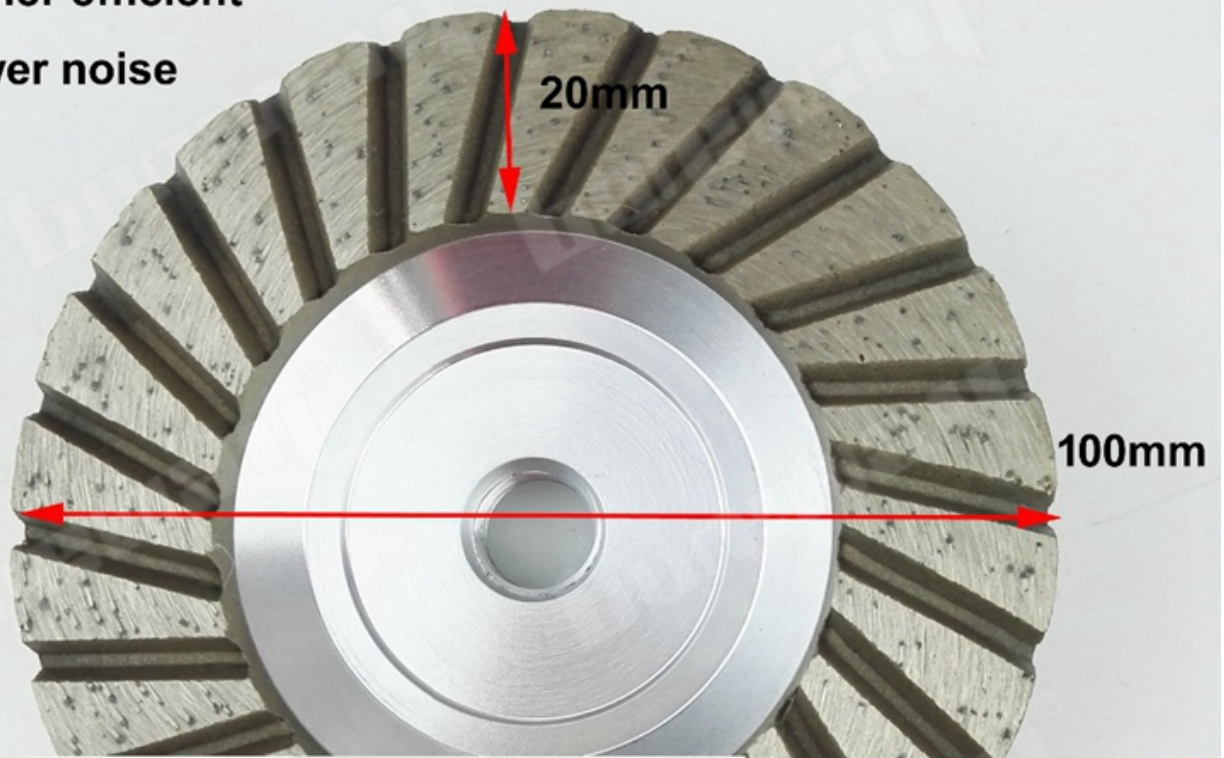
Lower noise



M14 Aluminum Based Diamond Grinding Wheel

Higher efficient

Lower noise



M14 Thread



7mm Thickness



#30
Coarse

#120
Fine



#30



#50



#100







□□□□

Diameter		Connection	Segment size	Grits
4 inch	100mm	Bore 22.23mm (7/8inch) with reducer washer 16mm	7mm thickness	30
4 inch	100mm	Bore 22.23mm (7/8inch) with reducer washer 16mm	7mm thickness	120
4 inch	100mm	M14 Thread	7mm thickness	30
4 inch	100mm	M14 Thread	7mm thickness	120

□□□□□□□□□□□□□□□□□□

□□□□

4□□□100□□□□□□□□□□M14□□□□□□□□□□□□

□□□□□□□□□□□□□□□□





□□□

1. 30□□□□□□□□50□□□□□□□□100□□□□□□□□

2. □□100□□□□□□□□□□□□□□□□□□□□□□□□

3. □□□□□□□□□□□□□□

4. □□□□□□□□□□

5. 4



Boreway Machinery Co., Ltd
www.diamondtools.top
www.boreway.net



Boreway Machinery Co., Ltd
www.diamondtools.top
www.boreway.com



