





4□□□□□□□□□□

## M14 Aluminum Based Diamond Grinding Wheel

Higher efficient

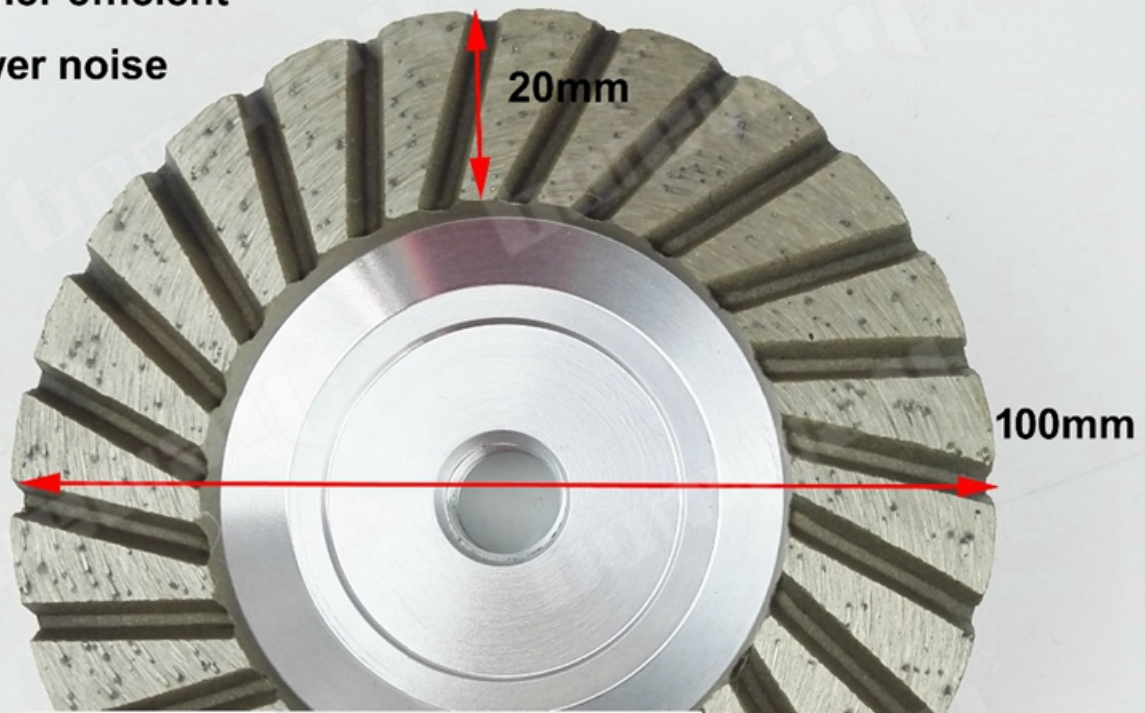
Lower noise



# M14 Aluminum Based Diamond Grinding Wheel

Higher efficient

Lower noise



M14 Thread



7mm Thickness



**#30**



**#50**



**#100**







□□□□

Diameter		Connection	Segment size	Grits
4 inch	100mm	Bore 22.23mm (7/8inch) with reducer washer 16mm	7mm thickness	30
4 inch	100mm	Bore 22.23mm (7/8inch) with reducer washer 16mm	7mm thickness	120
4 inch	100mm	M14 Thread	7mm thickness	30
4 inch	100mm	M14 Thread	7mm thickness	120

□□□□□□□□□□□□□□□□

□□□□

4 M14 100





□□□

1. □30□□□□□□□□□50□□□□□□□□100□□□□□□

2. □□□100□□□□□□□□□□□□□□□□□□□□□□□□

3. □□□□□□□□□□□□

4. □□□□□□□□□□□□□□



5. 4

□□□□



Boreway Machinery Co., Ltd.  
www.diamondtools.top  
www.boreway.net

□□□□



Boreway Machinery Co., Ltd.  
www.diamondtools.top  
www.boreway.com

□□□□□□

□□□□



□□□□□□

1. □□□□□□□□□□□□□□□□□□□□
2. □ □□□□□□□□□□□□□□□□□□□
3. OEM □□□□□□□□□□□□□□□□□□□□
4. □□□□□□□□□□□□□□□□□□□□□□□□□□
5. □ □□□□□□□□□□□□□□□□□□□□□□□□□

□□□

1. □□□□□□□□□□□□□□□□□□□□  
 □□□□□□□□□□□□□□□□□□□□  
 □□□□□□□□□□□□□□□□□□□□  
 □□□□□□□□□□□□□□□□□□□□  
 □□□□□□8□□□□□□□□□□□□□□□□□□□□□□□□□□

