

105 125

000

125mm

1

2

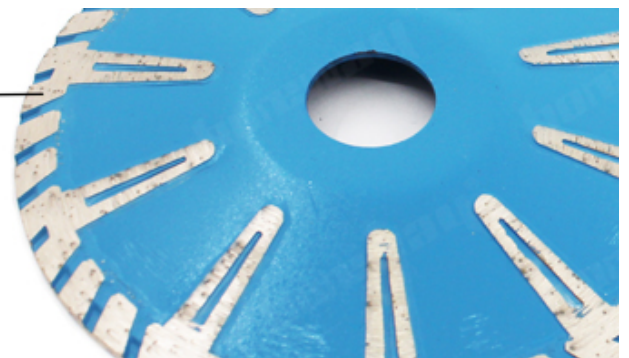
3

4

5



1. The cutting is smooth and smooth, the cutting seam is small, and the forming is accurate.



2. Corrugated tooth shape, fast chip removal, conducive to cutting, high cutting efficiency



3. With T-shaped reinforced protection teeth, the service life of the saw blade is longer.

000

125mm

00	000mm	00
----	-------	----

Our factory use original high grade diamond



Other factory mix second diamond selected from waste segment

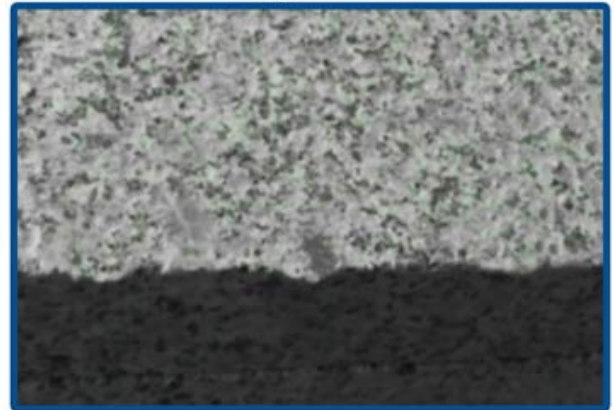


pk

Our blade cutting effect



Other supplier blade cutting effect

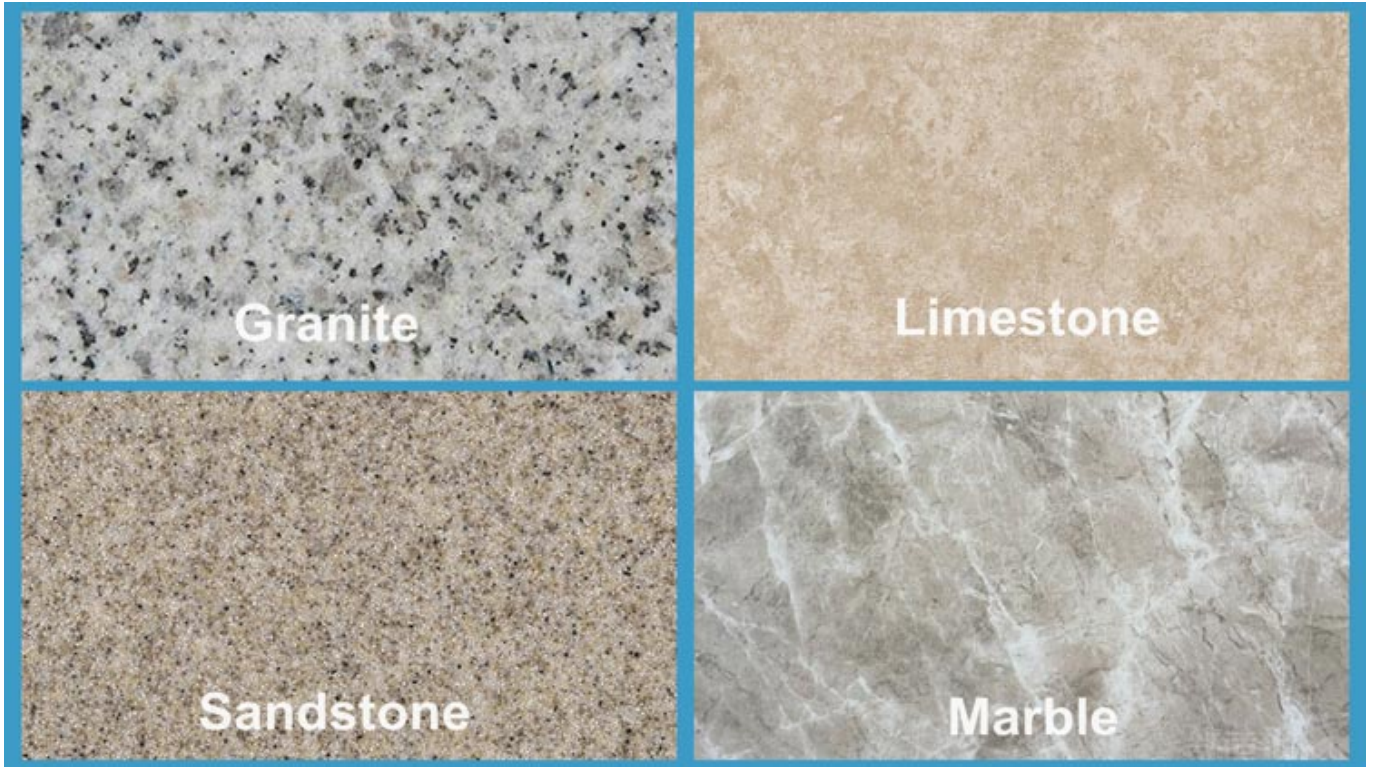


pk



125mm

- 8
-
-
- 2
- 2
-
- 2
- 3
-
-



□□□□□□□□

1. □□□□□□□□□□□□□□□□□□□□
 □□□□□□□□□□□□□□□□
 □□□□□□□□□□□□□□□□□□□□

2. □□□□□□□□□□□□□□□□

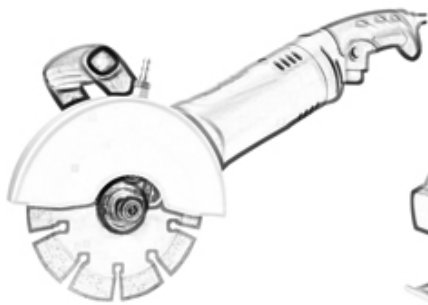
3. □□□

4. □□□□□□□□□□

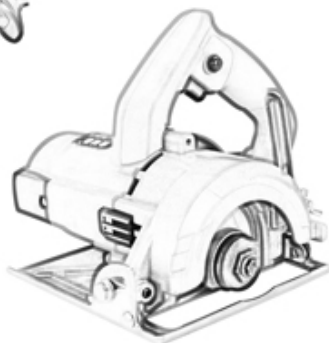


□□□□

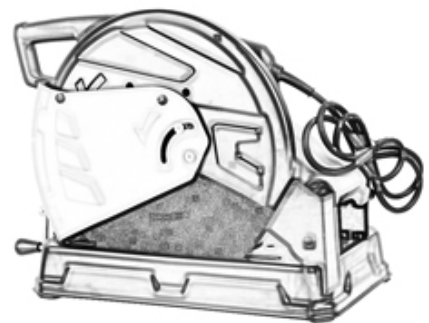
125mm □□□□□□ □□□□□□□□□□□□□□□□



Angle Grinders Machine



Manual Cutting Machine





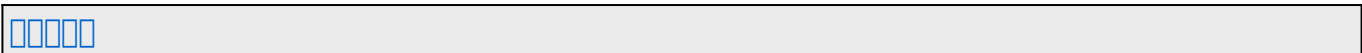
Boreway Machinery Co., Ltd
www.fordiamondtools.com
www.diamondtools.top

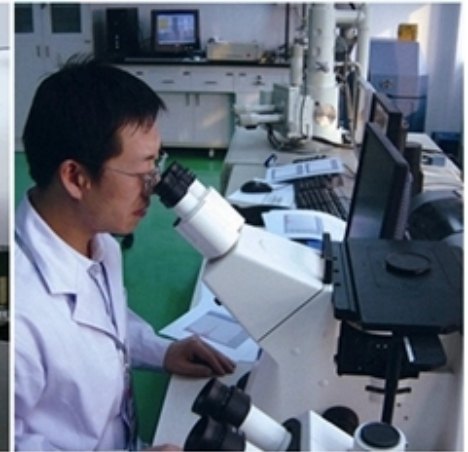
1000mm□□□□□□□□



Boreway Machinery Co., Ltd
www.diamondtools.top
www.boreway.net

□□□□□□





□□□□□□

PS□

1.□□□□□

2.□□□/□□□□□□□□□□□□□□□□□□

3.□□45kg□□□□□□□□□□□□□□□

4.□□□□□□□□□□□□□□□□

