

4

□□□



4

4

□□□

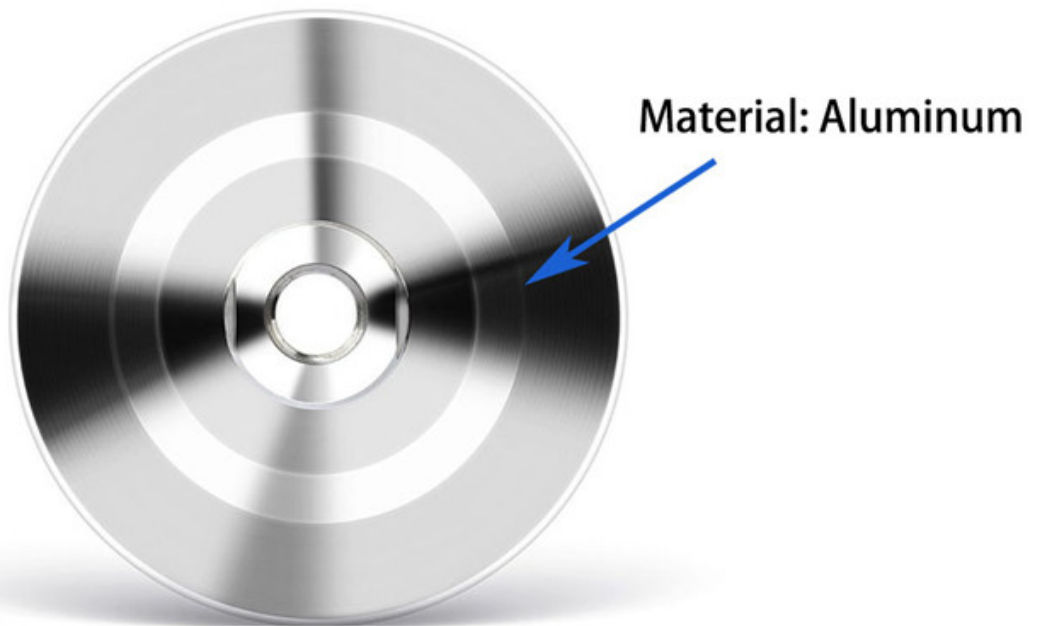
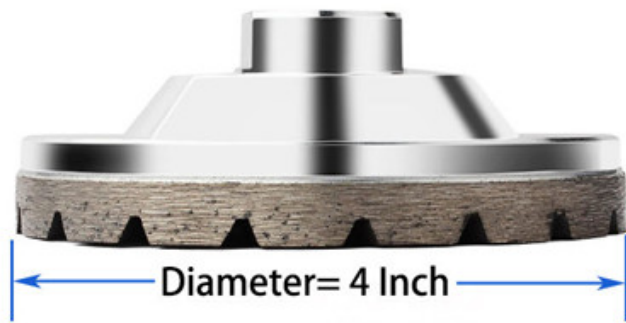
□□4

|                 |                |
|-----------------|----------------|
| □□              | M14            |
| □□□□            | 9□□            |
| □□              | 4□             |
| □□□             | □□             |
| □□□□            | □□             |
| <?xml:namespace | BW-DCW-D100-90 |
| prefix = o />□□ |                |
| □□□□            | □□□□□□□□□□     |
| □□              | □□□□□□□□□□□□   |

□□□□□□□□□□□□□□□□□□□□

□□□□□

4



4



**It Can Be Used On Angle Grinder  
Directly Or Installed On The Angle  
Grinder With An Extension Pole.**



□□□

1. □□□□□□□□□□□□□□□□
2. □□□□□□□□□□□□□□□□
3. □□□□□□□□□□□□□□□□□□□□□□□□

□□□

1. □□□□□□□□□□
2. □□□□□□□□□□□□□□
3. □□□□□□□□□□□□□□□□
4. □□□□□□□□□□□□

□□□□□



5.

**1.**  
  
  
  
8

**3.**

- 
- 
- 

## Fujian Nanan **boreway** Machinery Co.,Ltd.



605362342



+86595-86990206 / +86595-86990220



WhatApp / + 8613557694058



[boreway07@boreway.net](mailto:boreway07@boreway.net)

